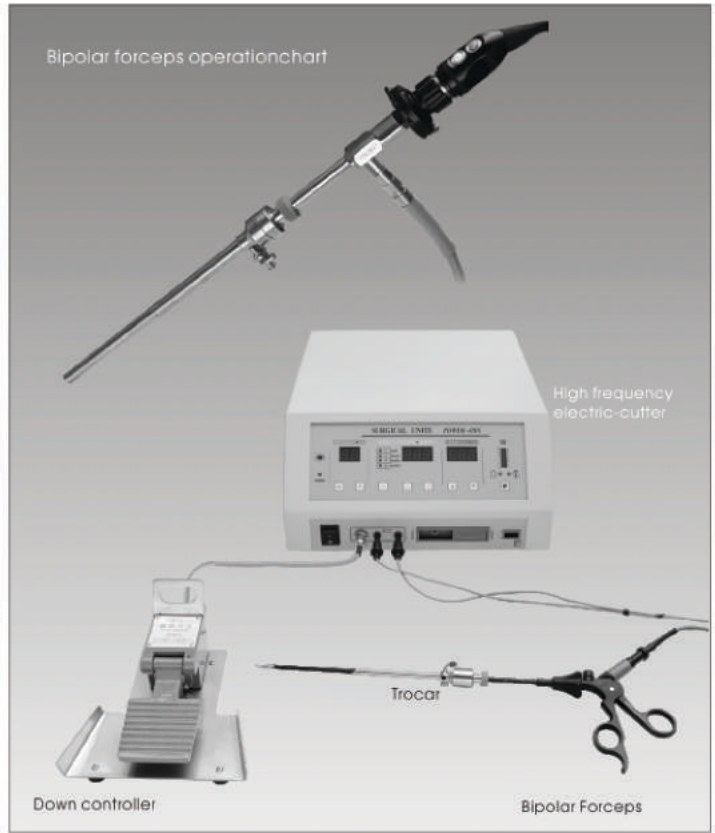
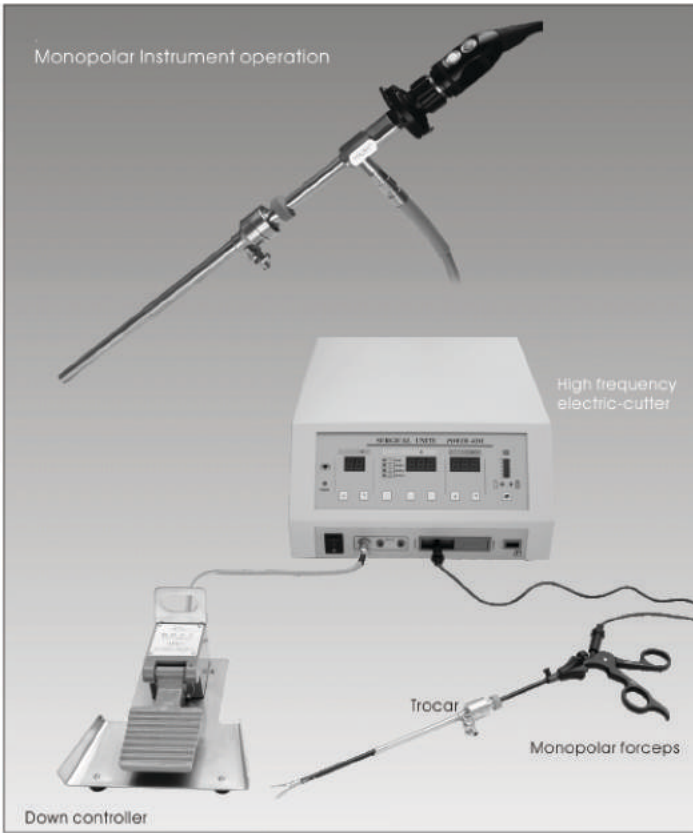




ENDOSCOPIA MEDICAL INSTRUMENT



Monopolar Instrument operation





















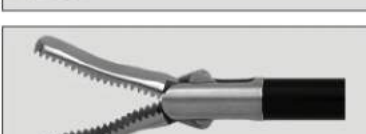





Forceps and Scissors

	<p><b>Straight-Scissors</b>                      101.020 <math>\Phi</math> 10 X 330mm                      101.021 <math>\Phi</math> 5 X 330mm                      102.012 <math>\Phi</math> 3 X 300mm                      103.003 <math>\Phi</math> 5 X 210mm</p>		<p><b>Dissecting forceps (Straight)</b>                      101.027 <math>\Phi</math> 5 X 330mm                      102.015 <math>\Phi</math> 3 X 300mm                      103.006 <math>\Phi</math> 5 X 210mm</p>
	<p><b>Curved-Scissors</b>                      101.022.1 <math>\Phi</math> 5 X 330mm                      102.013.1 <math>\Phi</math> 3 X 300mm                      103.004.1 <math>\Phi</math> 5 X 210mm</p>		<p><b>Marryland forceps (Curved)</b>                      101.025 <math>\Phi</math> 10 X 330mm                      101.028 <math>\Phi</math> 5 X 330mm                      102.016 <math>\Phi</math> 3 X 300mm                      103.007 <math>\Phi</math> 5 X 210mm</p>
	<p><b>Tiny-Scissors</b>                      101.023 <math>\Phi</math> 5 X 330mm</p>		<p><b>Marryland forceps (Curved)</b>                      101.028A <math>\Phi</math> 5 X 330mm</p>
	<p><b>Straight-Scissors</b>                      101.020.1 <math>\Phi</math> 10 X 330mm                      101.021.1 <math>\Phi</math> 5 X 330mm                      102.012.1 <math>\Phi</math> 3 X 300mm                      103.003.1 <math>\Phi</math> 5 X 210mm</p>		<p><b>Marryland forceps (Curved)</b>                      101.028B <math>\Phi</math> 5 X 330mm</p>
	<p><b>Curved-Scissors</b>                      101.022 <math>\Phi</math> 5 X 330mm                      102.013 <math>\Phi</math> 3 X 300mm                      103.004 <math>\Phi</math> 5 X 210mm</p>		<p><b>Marryland forceps (Curved)</b>                      101.028C <math>\Phi</math> 5 X 330mm</p>
	<p><b>Hook-Scissors</b>                      101.024 <math>\Phi</math> 5 X 330mm                      102.014 <math>\Phi</math> 3 X 300mm                      103.005 <math>\Phi</math> 5 X 210mm</p>		<p><b>Marryland forceps (Curved)</b>                      101.028D <math>\Phi</math> 5 X 330mm</p>

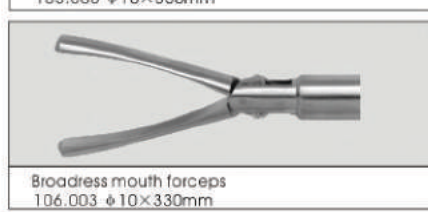
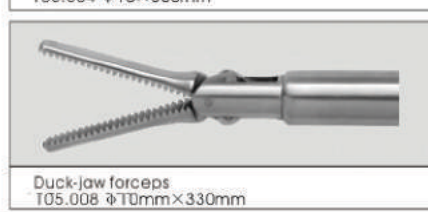
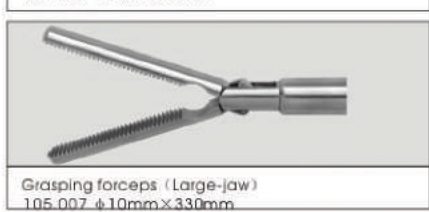
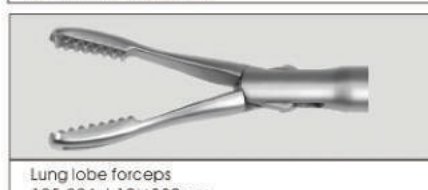
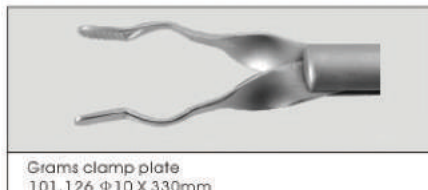
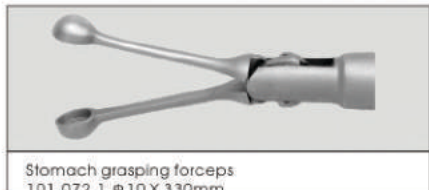
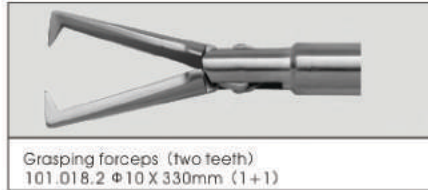
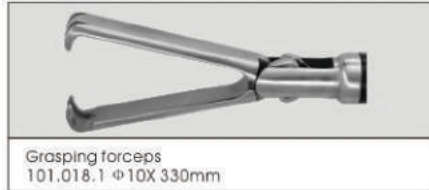
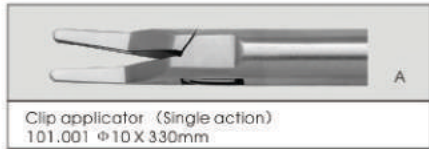
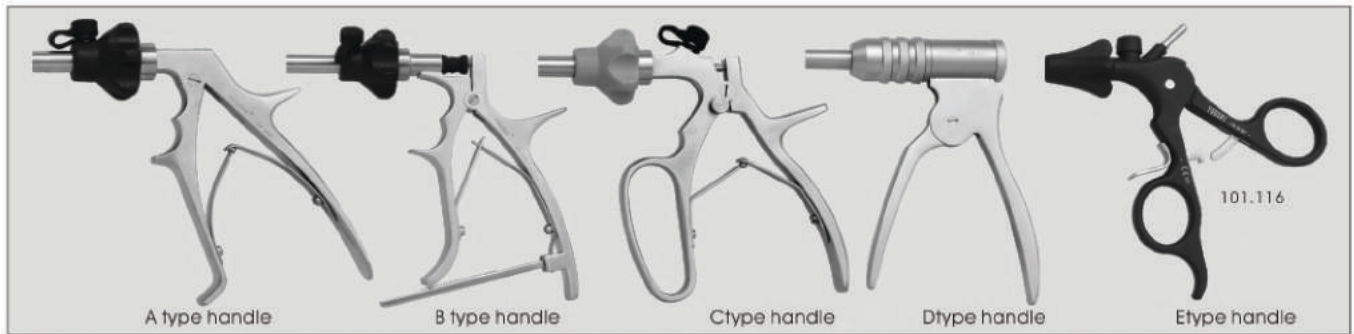
Forceps and Scissors

	Marryland forceps (Curved) 101.028E $\Phi$ 5 X 330mm		Atraumatic forceps 101.041.2 $\Phi$ 5 X 330mm
	Dissecting forceps (70° curved) 101.029 $\Phi$ 5 X 330mm		Atraumatic forceps (Rough tooth) 101.042 $\Phi$ 5 X 330mm
	Dissecting forceps (90° ) 101.026 $\Phi$ 10 X 330mm 101.030 $\Phi$ 5 X 330mm 102.017 $\Phi$ 3 X 300mm 103.008 $\Phi$ 5 X 210mm		Maxi forceps 101.043 $\Phi$ 5 X 330mm 102.004 $\Phi$ 3 X 300mm 103.010 $\Phi$ 5 X 210mm
	Large-jaw grasping forceps 101.036 $\Phi$ 5 X 330mm 105.007 $\Phi$ 10 X 330mm		Pliwi grasping forceps 101.044 $\Phi$ 5 X 330mm 102.005 $\Phi$ 3 X 300mm 103.011 $\Phi$ 5 X 210mm
	Large-jaw grasping forceps (Fenestrated) 101.037 $\Phi$ 5 X 330mm 106.004 $\Phi$ 10 X 330mm		Pliwi grasping forceps (Lengthen) 101.045 $\Phi$ 5 X 330mm
	Large-jaw grasping forceps (Toothless) 101.038 $\Phi$ 5 X 330mm		Set forceps (2+3 Tooth) 101.047 $\Phi$ 5 X 330mm
	Large-jaw grasping forceps (Toothless) 101.038.1 $\Phi$ 5 X 330mm		Set forceps (1+2 Tooth) 101.047.1 $\Phi$ 5 X 330mm
	Large-jaw grasping forceps (Toothless) 101.038.2 $\Phi$ 5 X 330mm		Set forceps (2+3 Tooth) 101.048 $\Phi$ 5 X 330mm
	Duck-mouth grasping forceps 101.039 $\Phi$ 5 X 330mm 102.003 $\Phi$ 3 X 300mm 105.008 $\Phi$ 10 X 330mm		Set forceps (1+2 Tooth Short) 101.049 $\Phi$ 5 X 330mm
	Atraumatic forceps 101.040 $\Phi$ 5 X 330mm 102.009 $\Phi$ 3 X 300mm		Blunt grasping forceps 101.050 $\Phi$ 5 X 330mm 102.010 $\Phi$ 3 X 300mm
	Atraumatic forceps 101.041 $\Phi$ 5 X 330mm 102.008 $\Phi$ 3 X 300mm		Blunt grasping forceps (Rough tooth) 101.051 $\Phi$ 5 X 330mm
	Atraumatic forceps 101.041.1 $\Phi$ 5 X 330mm		Grasping forceps (Greeve) 101.052 $\Phi$ 5 X 330mm

## Forceps and Scissors

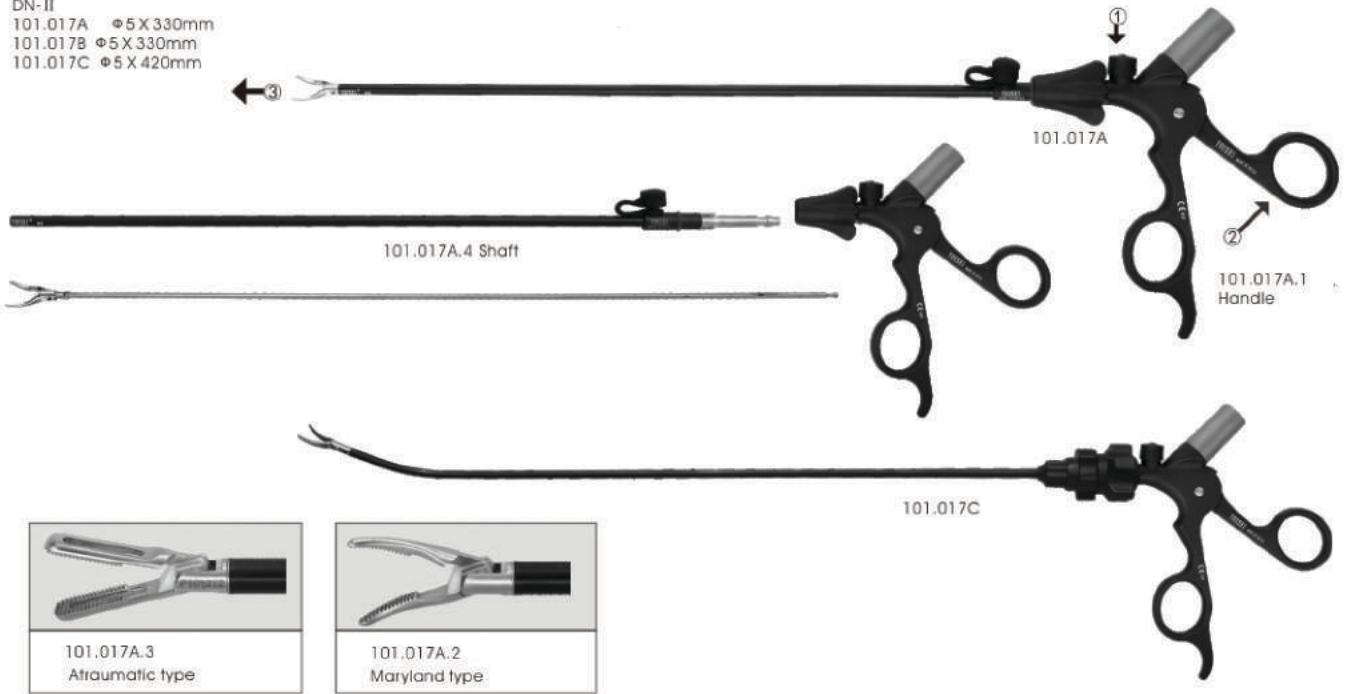
	Grasping forceps (Rough tooth, Fenestrated) 101.053 $\Phi 5 \times 330\text{mm}$		O-Grasping forceps 101.065 $\Phi 5 \times 330\text{mm}$
	Tine forceps 101.054 $\Phi 5 \times 330\text{mm}$ 102.006 $\Phi 3 \times 300\text{mm}$		O-Grasping forceps (Fenestrated) 101.066 $\Phi 5 \times 330\text{mm}$
	Small Biopsy forceps 101.056 $\Phi 5 \times 330\text{mm}$		Triplicate forceps 101.067 $\Phi 5 \times 330\text{mm}$
	Appendiceal forceps 101.057 $\Phi 5 \times 330\text{mm}$		Stomach grasping forceps 101.046 $\Phi 5 \times 330\text{mm}$
	Biopsy forceps (with eyetooth) 101.058 $\Phi 5 \times 330\text{mm}$		Stomach grasping forceps 101.071 $\Phi 5 \times 330\text{mm}$
	Babcock grasper forceps 101.059 $\Phi 5 \times 330\text{mm}$		Liver grasping forceps 101.073 $\Phi 5 \times 330\text{mm}$
	Biopsy forceps with cutting action 101.060 $\Phi 5 \times 330\text{mm}$		Tally pull forceps 101.074 $\Phi 5 \times 330\text{mm}$
	Oviduct forceps 101.061 $\Phi 5 \times 330\text{mm}$		Tally pull forceps 101.074.1 $\Phi 5 \times 330\text{mm}$
	Oviduct forceps 101.061.1 $\Phi 5 \times 330\text{mm}$		A-knot forceps 101.077 $\Phi 5 \times 330\text{mm}$ 102.011 $\Phi 3 \times 300\text{mm}$
	Mesentery forceps 101.062 $\Phi 5 \times 330\text{mm}$		B-knot forceps 101.078 $\Phi 5 \times 330\text{mm}$
	Grasping forceps (Central hollow, contrate) 101.063 $\Phi 5 \times 330\text{mm}$		Forceps 101.098 $\Phi 5 \times 330\text{mm}$
	Grasping forceps (Fenestrated, vertical) 101.064 $\Phi 5 \times 330\text{mm}$		Croce-olmi 101.099 $\Phi 5 \times 330\text{mm}$

Forceps and Scissors



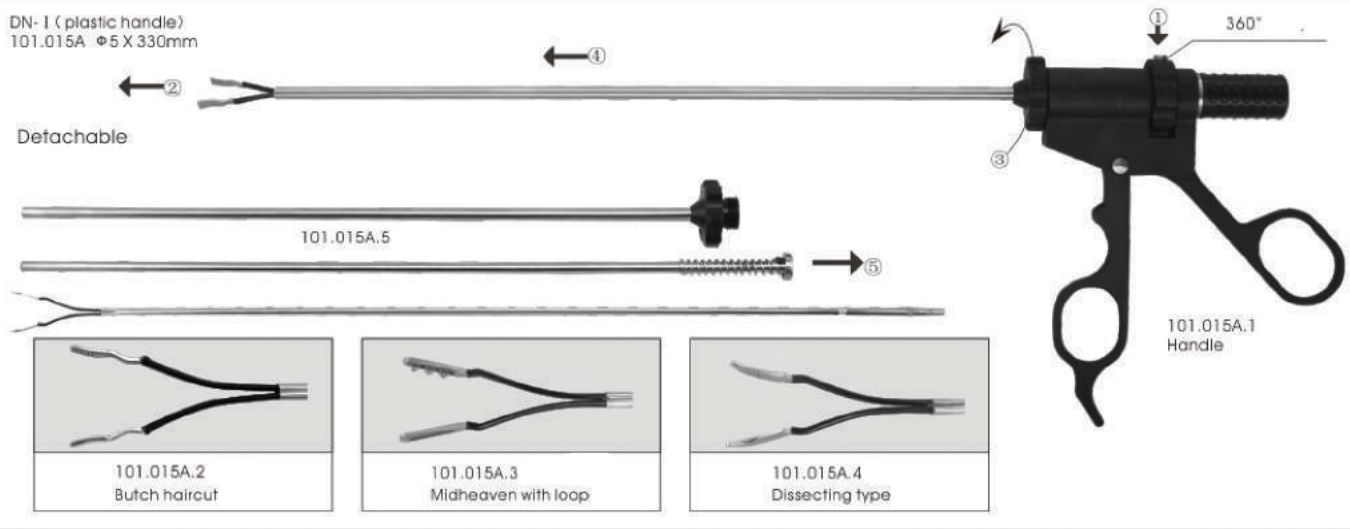
Bipolar Forceps

DN-II  
 101.017A  $\phi 5 \times 330\text{mm}$   
 101.017B  $\phi 5 \times 330\text{mm}$   
 101.017C  $\phi 5 \times 420\text{mm}$

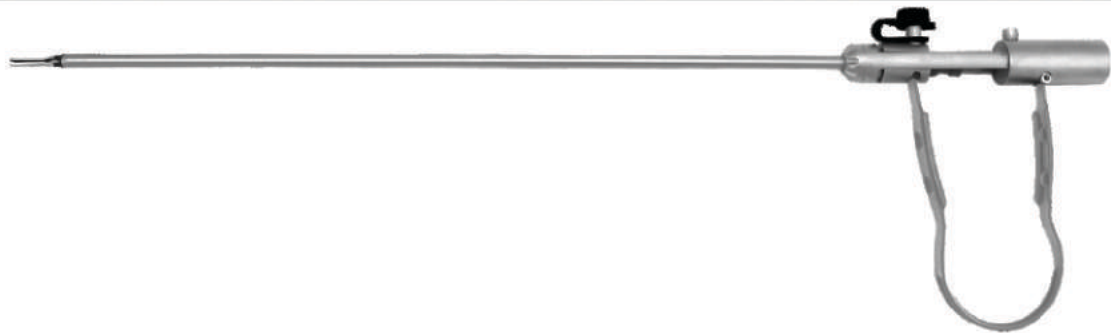


DN-I (plastic handle)  
 101.015A  $\phi 5 \times 330\text{mm}$

Detachable



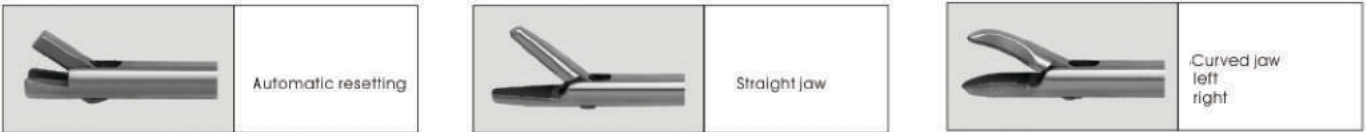
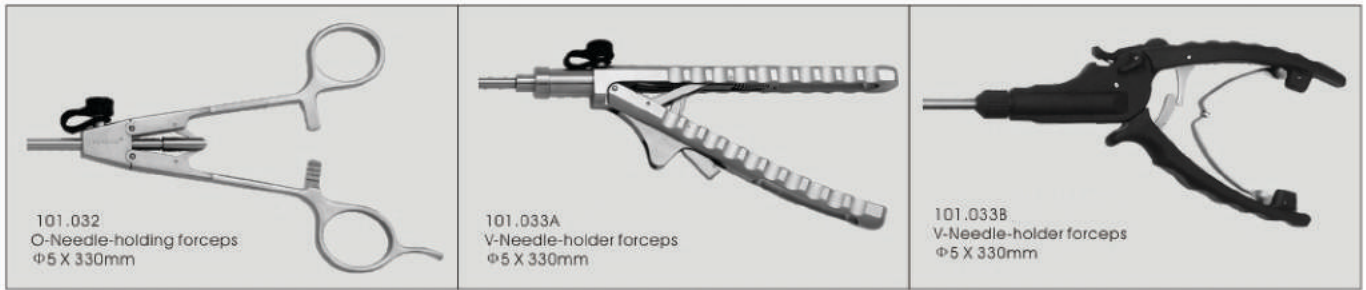
DN-III (metal handle)  
 101.015B  $\phi 5 \times 330\text{mm}$



Bipolar cable  
 101.093 3000mm



Needle-holding forceps



Fan-shaped retractor

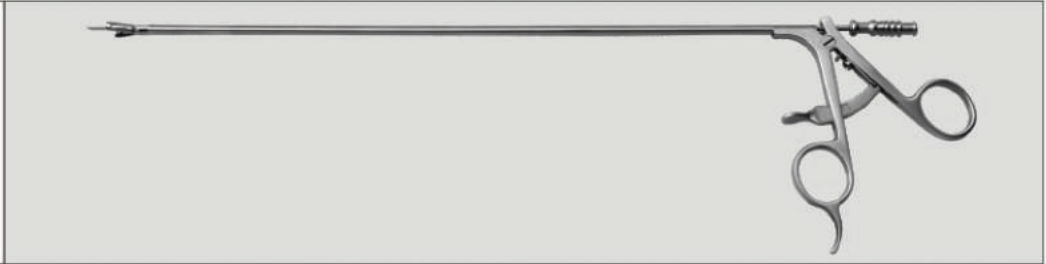


Purse Stitching Clamp





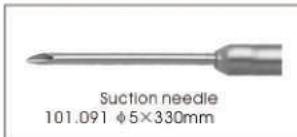
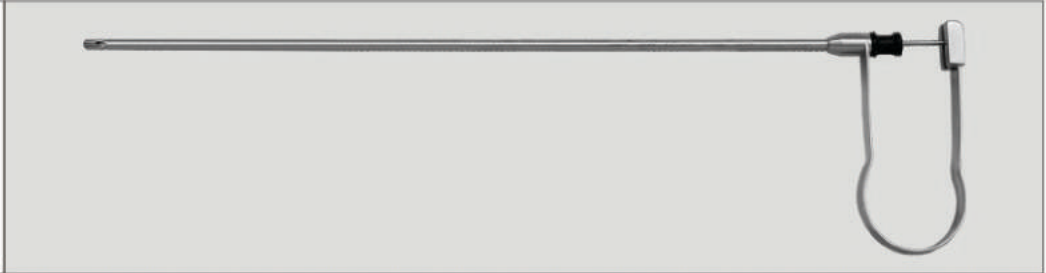
Cholangiography forceps  
101.055  $\phi$ 5 X 330mm



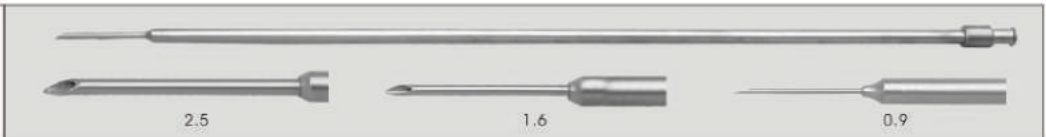
Spring grasping forceps  
101.068  $\phi$ 5 X 330mm



Spring grasping forceps  
(long jaw) 101.069  $\phi$ 5 X 330mm



Suction needle  
101.091  $\phi$ 5 X 330mm



2.5

1.6

0.9



Ligature Tool  $\phi$ 5 X 330mm



101.101.2

U-head



101.102

Ligation device



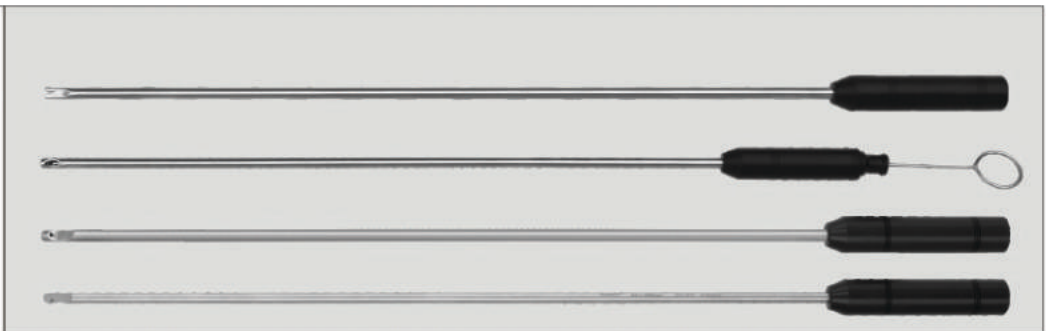
201.015.1

Metal head



201.015

plastic head



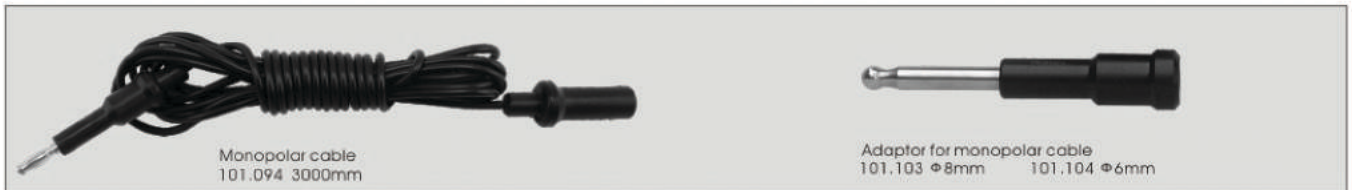
Incision knife



101.080  $\phi$ 5 X 330mm



101.081  $\phi$ 10 X 330mm



Monopolar cable  
101.094 3000mm

Adaptor for monopolar cable  
101.103  $\phi$ 8mm 101.104  $\phi$ 6mm



Verres Needle

101.090  $\phi$ 2 X 100mm 101.090.1  $\phi$ 2 X 120mm  
101.090.2  $\phi$ 2 X 150mm

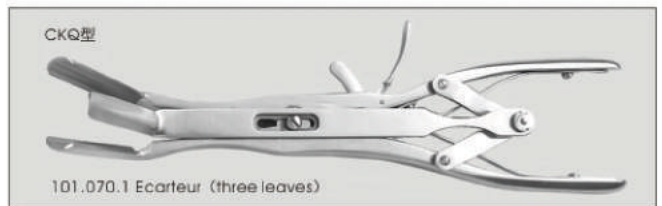


Adaptor  
101.097  $\phi$ 12  
101.097.1  $\phi$ 8  
101.097.2  $\phi$ 6  
101.097.3  $\phi$ 10



CKQ

101.070  
Ecarteur (two leaves)

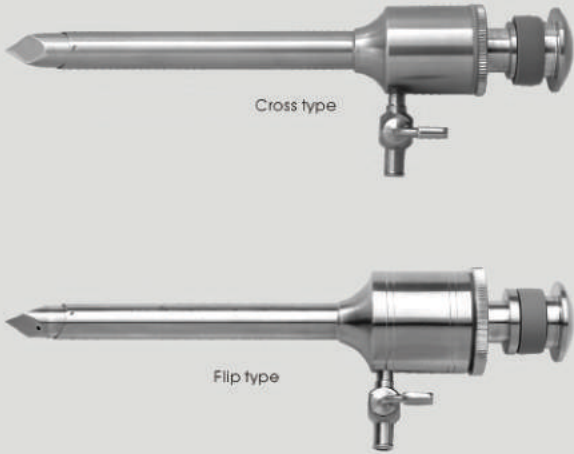






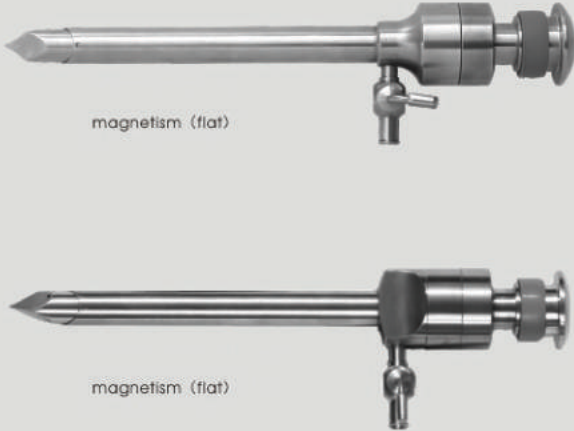




CKQ型






101.070.1 Ecarteur (three leaves)



Trocar

 <p>Cross type</p> <p>Flip type</p>	 <p>Cross type 101.006A <math>\Phi</math> 5.5 X 95mm 101.007A <math>\Phi</math> 10.5 X 95mm</p>
	 <p>Cross type with Safety 101.006B <math>\Phi</math> 5.5 X 95mm 101.007B <math>\Phi</math> 10.5 X 95mm</p>
	 <p>Cross type with transform <math>\Phi</math> 10 - <math>\Phi</math> 5mm 101.089.1</p>
	 <p>Flip type 101.010A <math>\Phi</math> 5.5 X 95mm 101.011A <math>\Phi</math> 10.5 X 95mm</p>

 <p>magnetism (flat)</p> <p>magnetism (flat)</p>	 <p>magnetism (flat) 101.008A <math>\Phi</math> 5.5 X 105mm 101.009A <math>\Phi</math> 10.5 X 105mm</p>
	 <p>magnetism (with Safety ) 101.008B <math>\Phi</math> 5.5 X 105mm 101.009B <math>\Phi</math> 10.5 X 105mm</p>
	 <p>Magnetism (flat) type with transform <math>\Phi</math> 10 - <math>\Phi</math> 5mm 101.089.2</p>
	 <p>magnetism (flat) with screw 101.008C <math>\Phi</math> 5.5 X 105mm 101.009C <math>\Phi</math> 10.5 X 105mm</p>

 <p>magnetism (ball)</p>	 <p>magnetism (ball) 101.012A <math>\Phi</math> 5.5 X 105mm 101.013A <math>\Phi</math> 10.5 X 105mm</p>
	 <p>magnetism (with Safety ) 101.012B <math>\Phi</math> 5.5 X 105mm 101.013B <math>\Phi</math> 10.5 X 105mm</p>
	 <p>Magnetism (ball) with transform <math>\Phi</math> 10 - <math>\Phi</math> 5mm 101.089.3</p>
	 <p>magnetism (ball with screw) 101.012C <math>\Phi</math> 5.5 X 105mm 101.013C <math>\Phi</math> 10.5 X 105mm</p>

<p>Reducer/Adaptor</p>  <p>101.089.1 <math>\Phi</math> 10-<math>\Phi</math> 5x90mm      101.089 <math>\Phi</math> 10-<math>\Phi</math> 5mm</p>	 <p>101.100 <math>\Phi</math> 3mm, <math>\Phi</math> 5.5mm <math>\Phi</math> 10.5mm</p>	 <p>101.100.1 <math>\Phi</math> 3mm, <math>\Phi</math> 5.5mm <math>\Phi</math> 10.5mm</p>	 <p>101.100.2 <math>\Phi</math> 5.5mm <math>\Phi</math> 10.5mm</p>
---	--	--	---

Electric instruments



Electric-Hook  
101.082  $\Phi 5 \times 330\text{mm}$   
102.020  $\Phi 3 \times 300\text{mm}$   
103.017  $\Phi 5 \times 210\text{mm}$

Electric-Hook  
101.082.1  $\Phi 5 \times 330\text{mm}$   
102.020.1  $\Phi 3 \times 300\text{mm}$   
103.017.1  $\Phi 5 \times 210\text{mm}$

Electric-Hook (ceramic head)  
101.082.2  $\Phi 5 \times 330\text{mm}$   
102.020.2  $\Phi 3 \times 300\text{mm}$   
103.017.2  $\Phi 5 \times 210\text{mm}$

Electric-Hook  
101.082.3  $\Phi 5 \times 330\text{mm}$   
102.020.3  $\Phi 3 \times 300\text{mm}$   
103.017.3  $\Phi 5 \times 210\text{mm}$

Electric-Ballpoint  
101.083  $\Phi 5 \times 330\text{mm}$   
102.021  $\Phi 3 \times 300\text{mm}$   
103.018  $\Phi 5 \times 210\text{mm}$

Electric-Ballpoint  
101.083.1  $\Phi 5 \times 330\text{mm}$   
102.021.1  $\Phi 3 \times 300\text{mm}$   
103.018.1  $\Phi 5 \times 210\text{mm}$

Electric-Spud  
101.084  $\Phi 5 \times 330\text{mm}$   
102.022  $\Phi 3 \times 300\text{mm}$

Electric-Hook  
101.085  $\Phi 5 \times 330\text{mm}$   
102.023  $\Phi 3 \times 300\text{mm}$

Electric-Hook  
101.086  $\Phi 5 \times 330\text{mm}$   
102.024  $\Phi 3 \times 300\text{mm}$

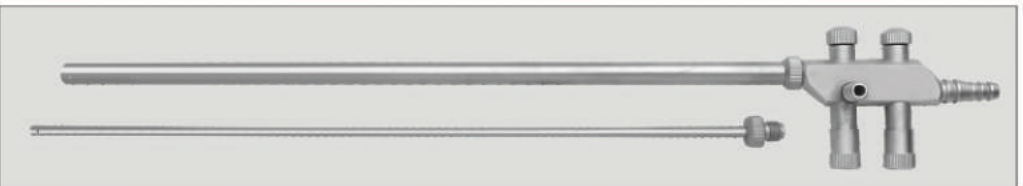


Suction & Irrigation Tube

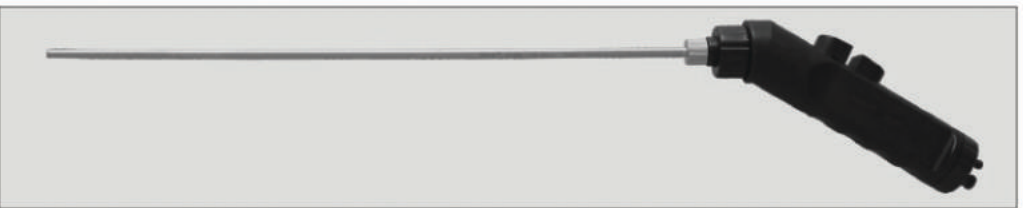
Suction & Irrigation Tube  
(push type)  
101.034  $\Phi 5/\Phi 10 \times 330\text{mm}$   
102.019  $\Phi 2.8 \times 300\text{mm}$   
103.016  $\Phi 5 \times 210\text{mm}$



Suction & Irrigation Tube  
(Knob-operated control)  
101.035  $\Phi 5/\Phi 10 \times 330\text{mm}$



Suction & Irrigation Tube  
(Pistol type)  
101.035.2  $\Phi 5/\Phi 10 \times 330\text{mm}$



Forcep



Bile Duct Forcecep

101.118  
Hernia needle  $\phi$  2.5mm



101.120  
Hernia needle  $\phi$  1.5mm



101.120.1  
Hernia needle  $\phi$  2.2mm



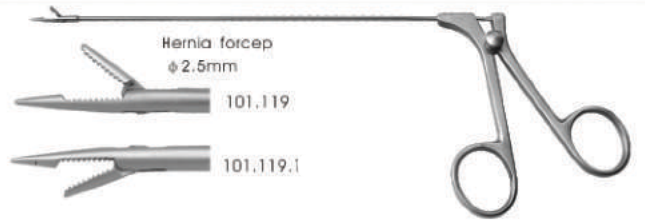
101.122  
Hernia needle  $\phi$  1.8mm



101.122.1  
Hernia needle  $\phi$  1.8mm



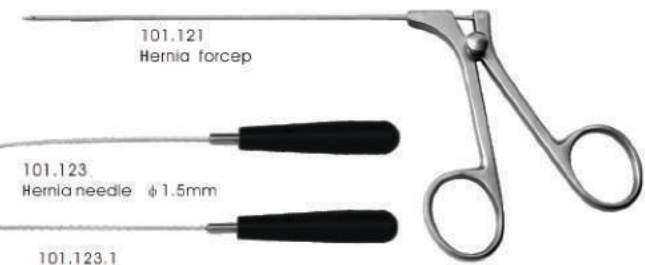
Hernia forcep  
 $\phi$  2.5mm



101.119

101.119.1

101.121  
Hernia forcep



101.123  
Hernia needle  $\phi$  1.5mm

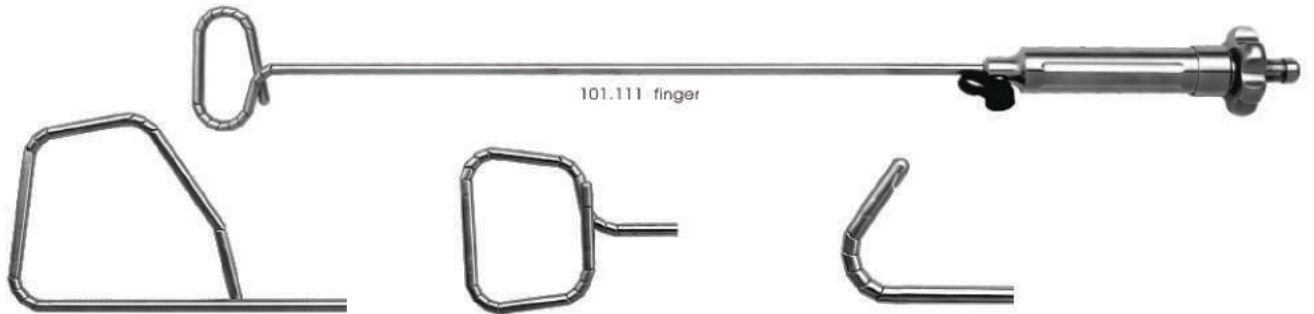


101.123.1  
Hernia needle  $\phi$  1.5mm



JLG finger

101.111 finger



101.114 finger



101.113 finger



101.112 finger



Target-type forcep

101.095 Target-type forcep  
 $\phi$  10 X 330mm



YS104 Thyroid Instruments

Thyroid dissecting  
104.001  $\phi$  10 X 330mm



Thyroid dissecting  
104.002  $\phi$  6 X 330mm



Endermic dissecting  
104.003  $\phi$  4 X 330mm



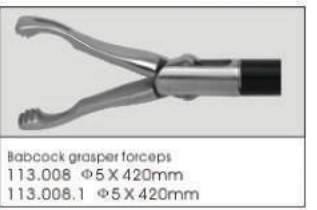
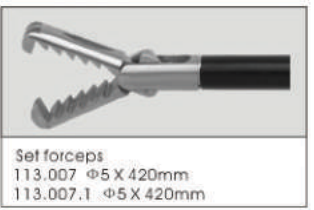
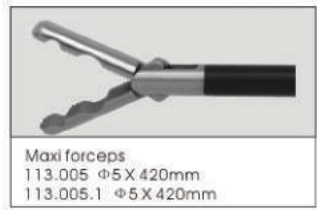
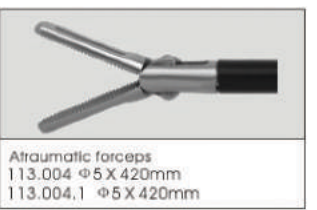
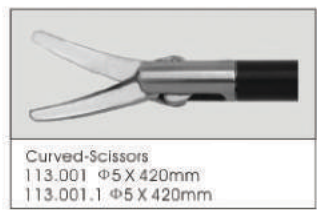
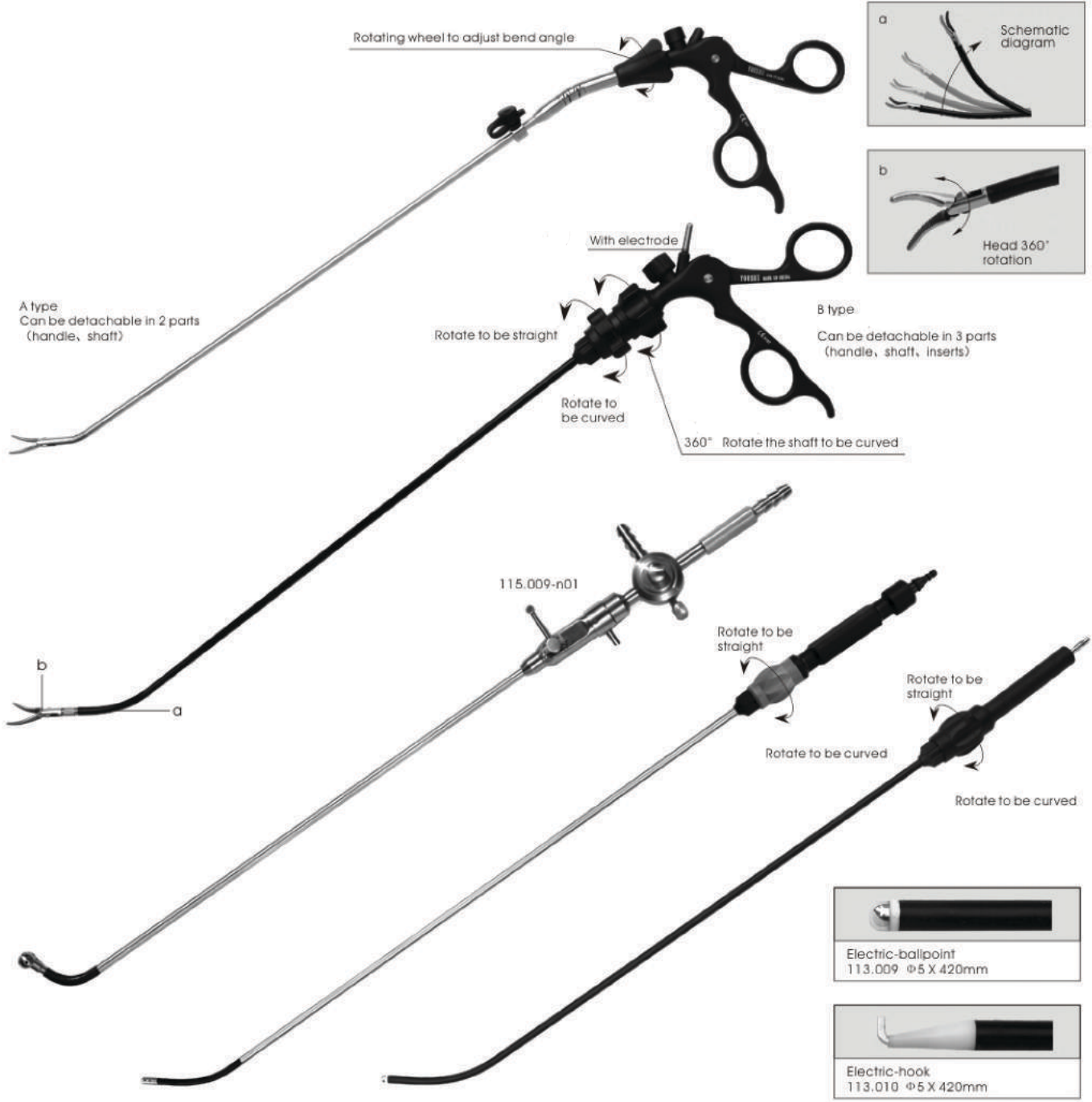
Endermic Injection needle  
104.004  $\phi$  3 X 330mm



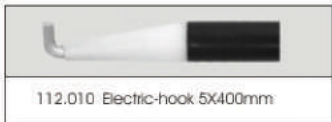
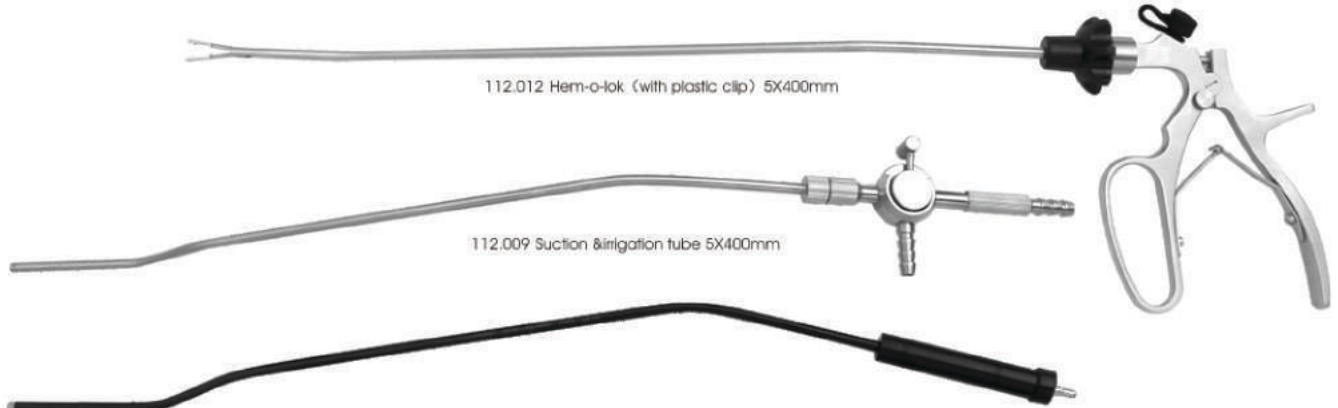
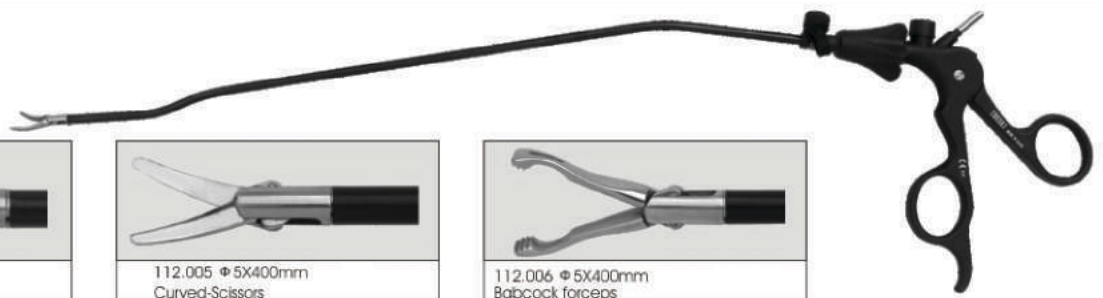
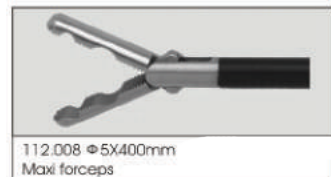
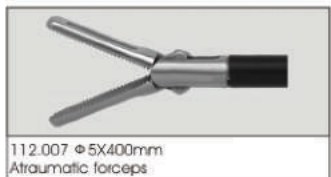
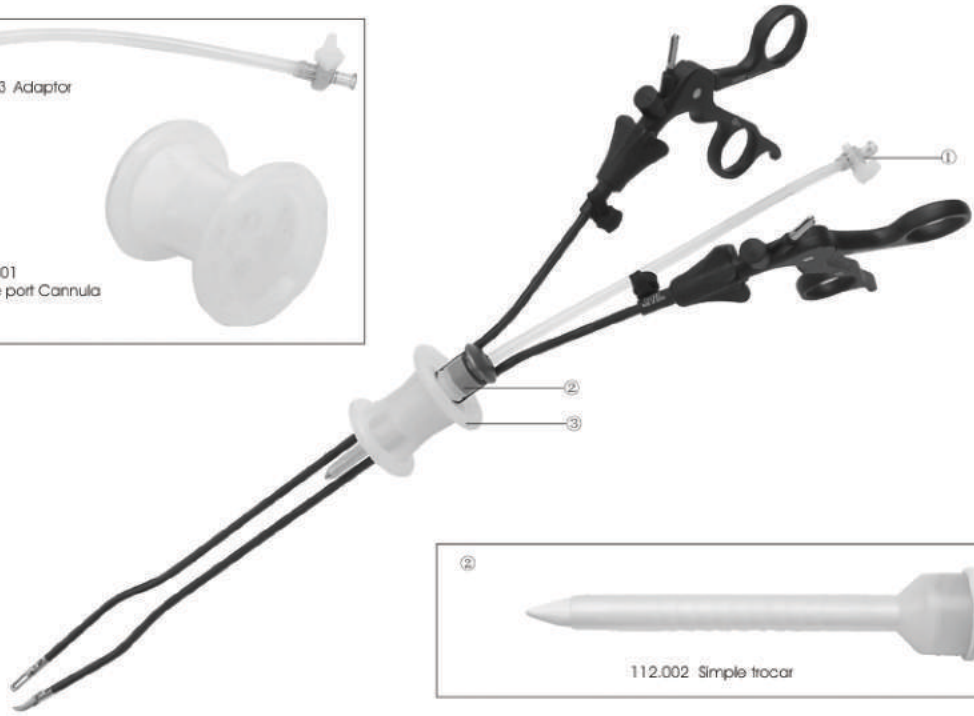
Retractor  $\phi$  2.5 X 220mm  
104.005 (left Retractor)  
104.006 (right Retractor)



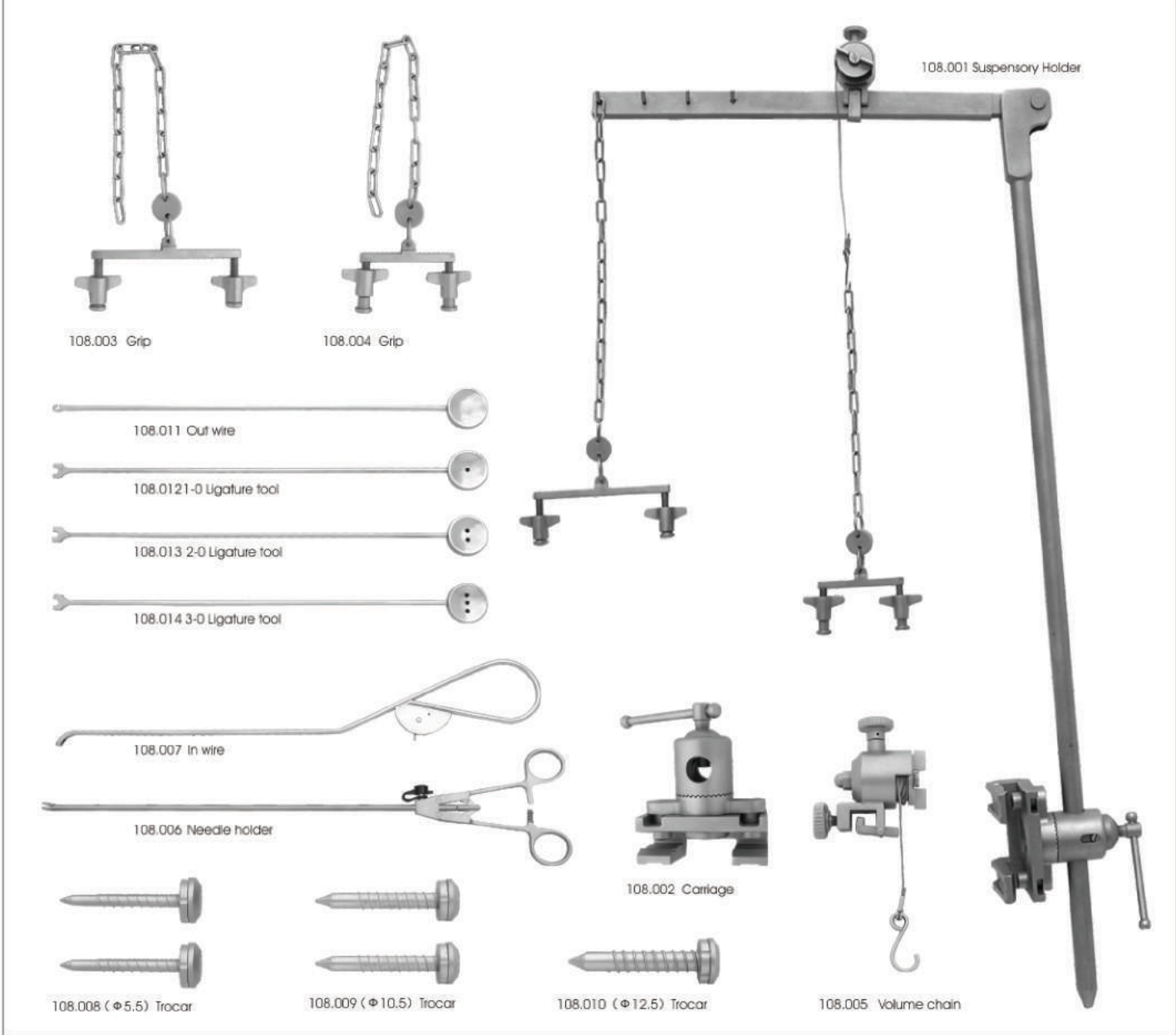
YS113



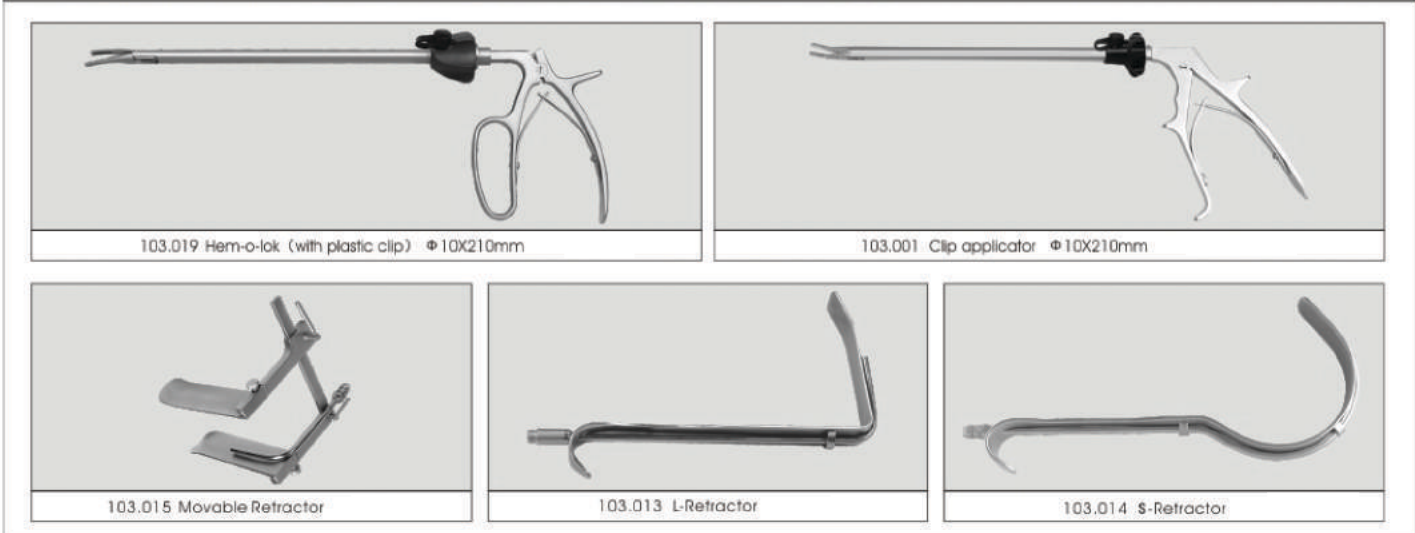
YS112 Single port instruments (through navel)



YS108 DS-II Suspensory Laparoscopic instruments



YS103 Small incision instruments



**YS115 XW Thoracoscopy instruments**

**Hemostatic forceps**

- 115.001-k15 Curved radian 15mm
- 115.001-k20 Curved radian 20mm
- 115.001-k25 Curved radian 25mm
- 115.001-J25 Curved radian 25mm
- 115.001-Y25 Snake type 25mm



**Tissue forceps(oval type), can be without teeth or without ratchet handle**

- 115.002-k08 Length340mm head diameter 8mm with teeth
- 115.002-k10 Length340mm head diameter 10mm with teeth
- 115.002-k12 Length340mm head diameter 12mm with teeth
- 115.002-m08 Length360mm head diameter 8mm with teeth
- 115.002-m10 Length360mm head diameter 10mm with teeth
- 115.002-m12 Length360mm head diameter 12mm with teeth
- 115.002-n08 Length420mm head diameter 8mm with teeth
- 115.002-n10 Length420mm head diameter 10mm with teeth
- 115.002-n12 Length420mm head diameter 12mm with teeth



**Tissue forceps(Lymph type)**

- 115.003-k09 length,340mm curved head diameter 9mm
- 115.003-k12 length,340mm curved head diameter 12mm
- 115.003-m09 length,360mm curved head diameter 9mm
- 115.003-m12 length,360mm curved head diameter 12mm



**(allis) Tissue forceps(allis type)**

- 115.004-k01 length,340mm curved head width 8mm
- 115.004-k02 length,340mm straight head width 8mm
- 115.004-m01 length,360mm curved head width 8mm
- 115.004-m02 length,360mm straight head width 8mm



**Scissors**

- 115.005-bk01 length,300mm head width 2.5mm
- 115.005-bk02 length,300mm head width 3.5mm
- 115.005-bm01 length,320mm head width 2.5mm
- 115.005-bm02 length,320mm head width 3.5mm



**Needle holder**

- 115.006-k01 length,340mm curved head
- 115.006-m01 length,360mm curved head
- 115.006-k02 length,340mm straight head
- 115.006-m02 length,360mm straight head



**Tissue forceps(pen type)**

- 115.007-k12 head length 12mm pen type



**Knot pusher**

- 115.008-s01 Right curved
- 115.008-L01 Left curved



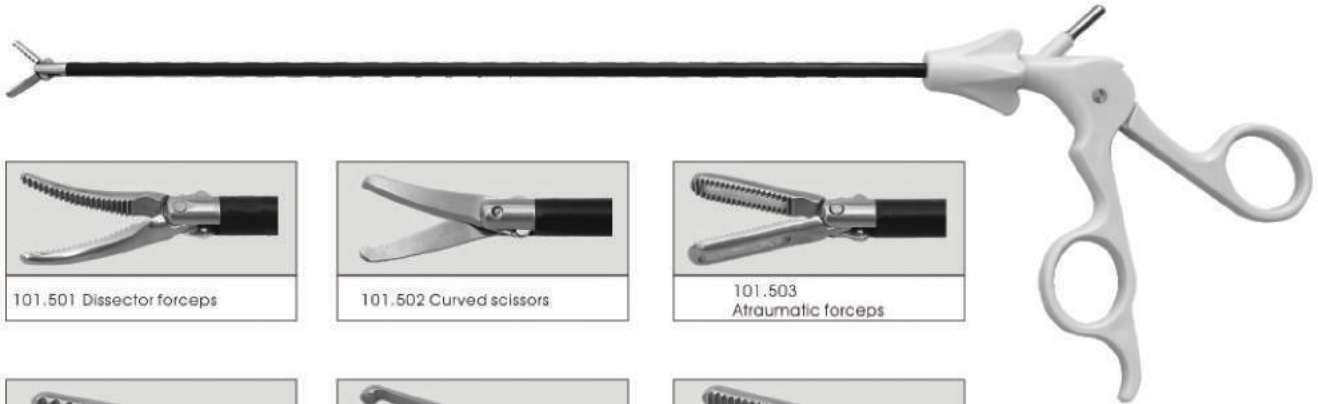
**Suction irrigation tube**



- 115.009-m01 Knot-operated type ,can be curved
- 115.009-n01 push type, can be curved
- 115.009-k01 Straight type, straight head, hexagonal shank handle, changable head
- 115.009-k02 Straight type, curved head, hexagonal shank handle,



Disposable instruments



Disposable trocar  
 101.550  $\varnothing$  3mm  
 101.551  $\varnothing$  5.5mm  
 101.552  $\varnothing$  10.5mm  
 101.553  $\varnothing$  12.5mm



Disposable veress needle  
 101.556  $\varnothing$  2.1mm



Disposable endobag  
 101.565



101.570  
 Hem-o-lok  
 544250



101.571  
 Hem-o-lok  
 544240



101.572  
 Hem-o-lok  
 544230



101.575  
 Titanium clip  
 04#



101.576  
 Titanium clip  
 03#



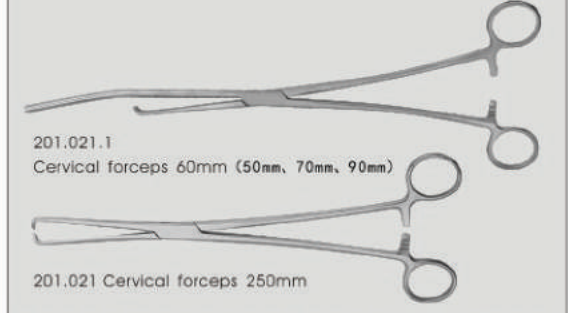
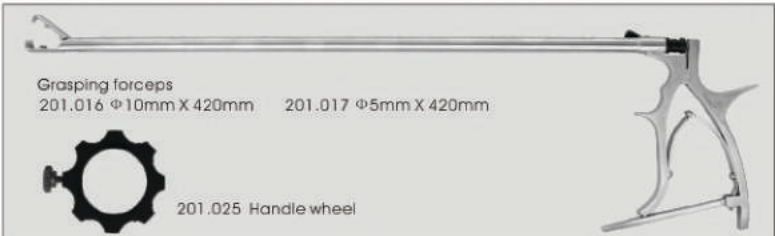
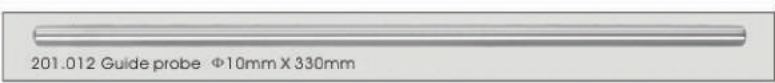
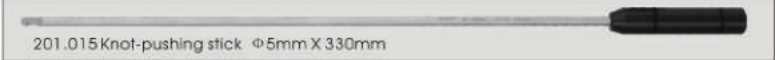
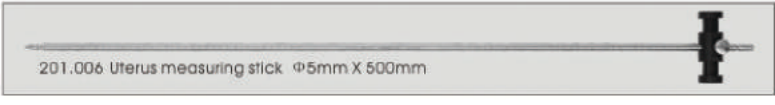
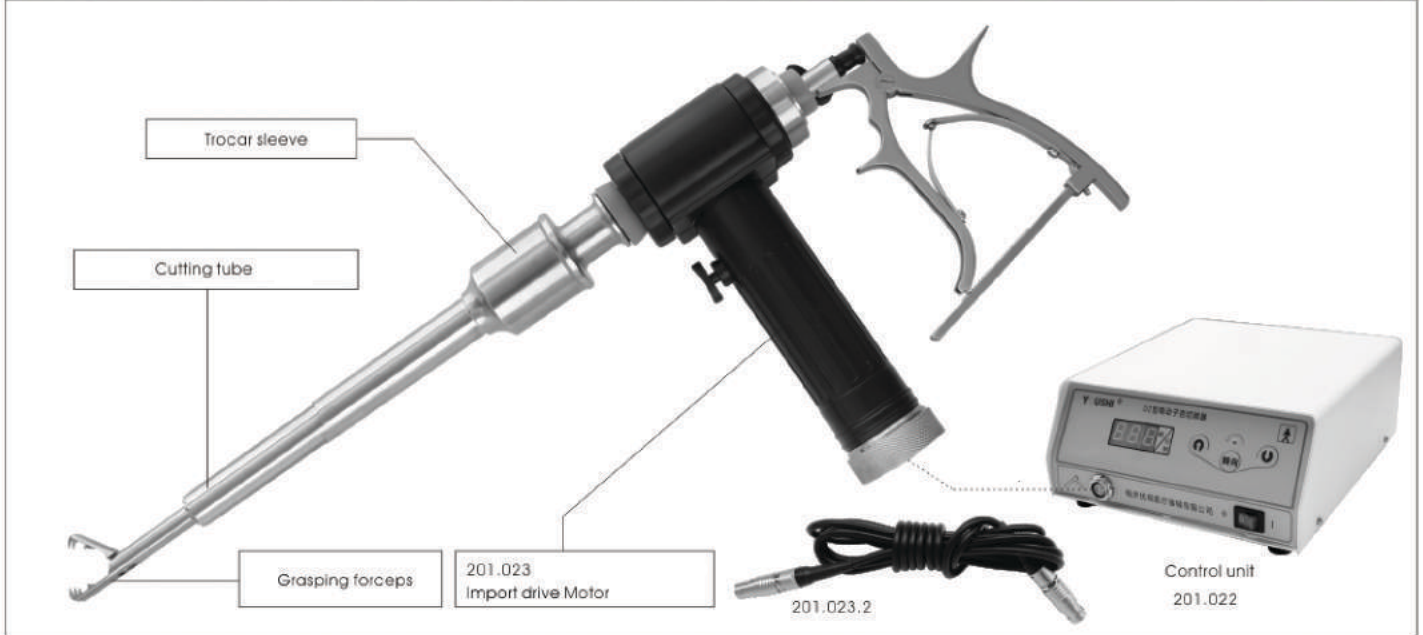
101.577  
 Titanium clip  
 2#



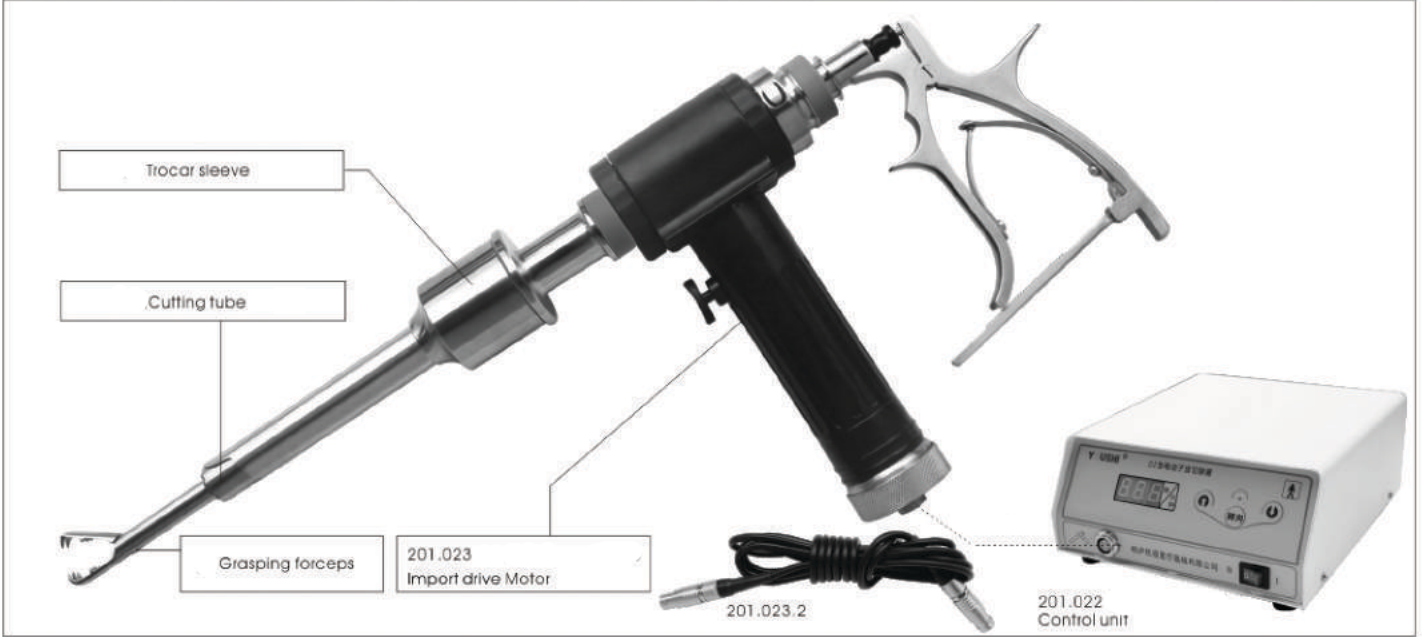
101.578  
 Titanium clip  
 05#



YS201 DZ Electric uterus-cutter and accessories

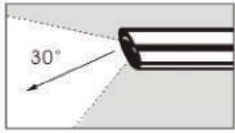


YS201A DZElectric uterus-cutter and accessories

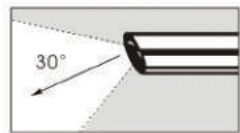


<p>Cutting tube 201A.001 <math>\phi</math>18mm<math>\times</math>278mm    201A.002 <math>\phi</math>15mm<math>\times</math>278mm    201A.003 <math>\phi</math>10mm<math>\times</math>278mm</p>	<p>Trocar sleeve 201A.011 <math>\phi</math>18mm<math>\times</math>102mm    201A.012 <math>\phi</math>15mm<math>\times</math>102mm</p>
<p>Reducer 201A.004 <math>\phi</math>15mm-10mm    201A.005 <math>\phi</math>18mm-10mm    201A.006 <math>\phi</math>10mm-5mm</p> <p>Grasping forceps 201A.007 <math>\phi</math>10mm<math>\times</math>375mm    201A.008 <math>\phi</math>5mm<math>\times</math>375mm</p>	<p>Dilator 201A.009 <math>\phi</math>10mm/<math>\phi</math>15mm    201A.010 <math>\phi</math>10mm/<math>\phi</math>18mm</p> <p>Reducer 201.013 <math>\phi</math>15mm-<math>\phi</math>5mm    201.014 <math>\phi</math>18mm-<math>\phi</math>5mm</p>
<p>201.007 Moving bar <math>\phi</math>5mm<math>\times</math>420mm</p>	<p>201.021 Cervical forceps 250mm</p> <p>201.021.1. Cervical forceps 60mm (50mm, 70mm, 90mm)</p>
<p>201.012 Guide probe <math>\phi</math>10mm<math>\times</math>330mm</p>	<p>201.023 Import drive Motor</p>
<p>201.015 Knot-pushing stick <math>\phi</math>5mm<math>\times</math>330mm</p>	
<p>201.018 Uterine manipulator 400mm</p>	
<p>Hysteromyoma drill 201.019 <math>\phi</math>5mm<math>\times</math>420mm    201.020 <math>\phi</math>10mm<math>\times</math>420mm</p>	

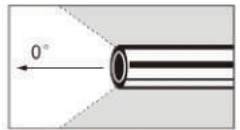
Hysteroscopy set



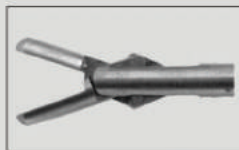
Y2013 ( 30° ) Endoscope  $\Phi 4 \times 302\text{mm}$   
Y2013.3 ( 30° ) Endoscope  $\Phi 3 \times 302\text{mm}$



Y20122.2 Endoscope



Y2010 ( 0° ) Endoscope



202.001 5  
Biopsy forceps



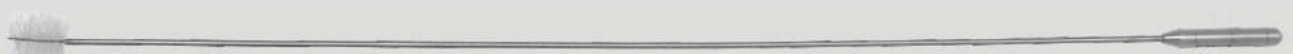
202.002 5Fr  
Scissors



202.003 5Fr  
Loop catching forceps



202.004 5Fr  
Grasping forceps



202.005 Brush

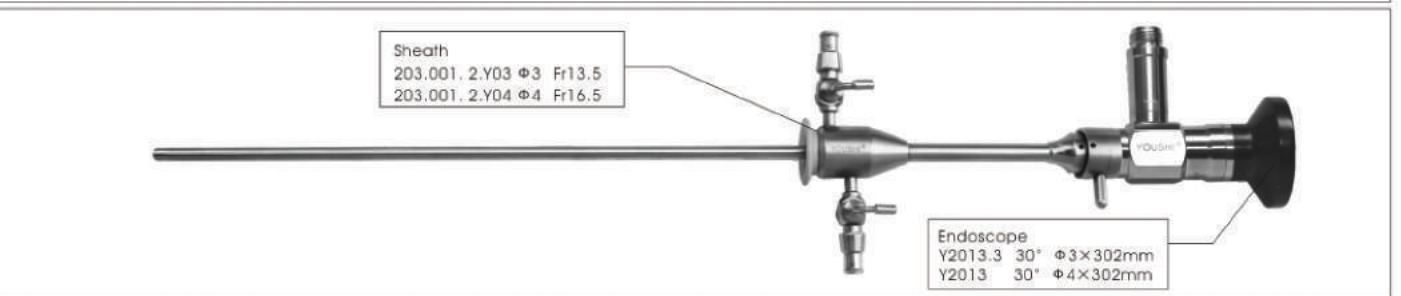
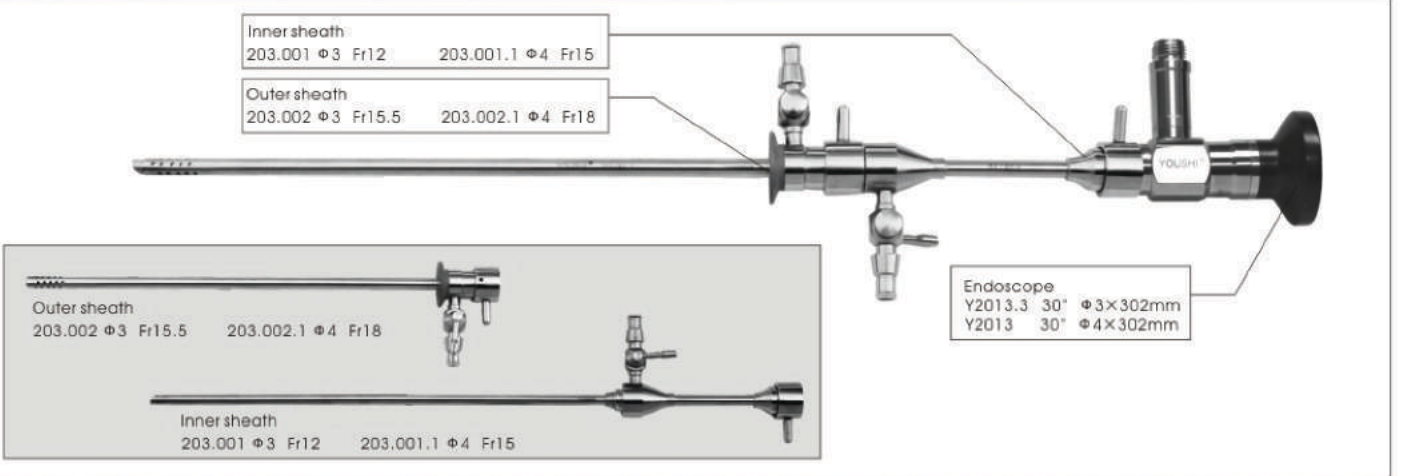


202.011 Adaptor

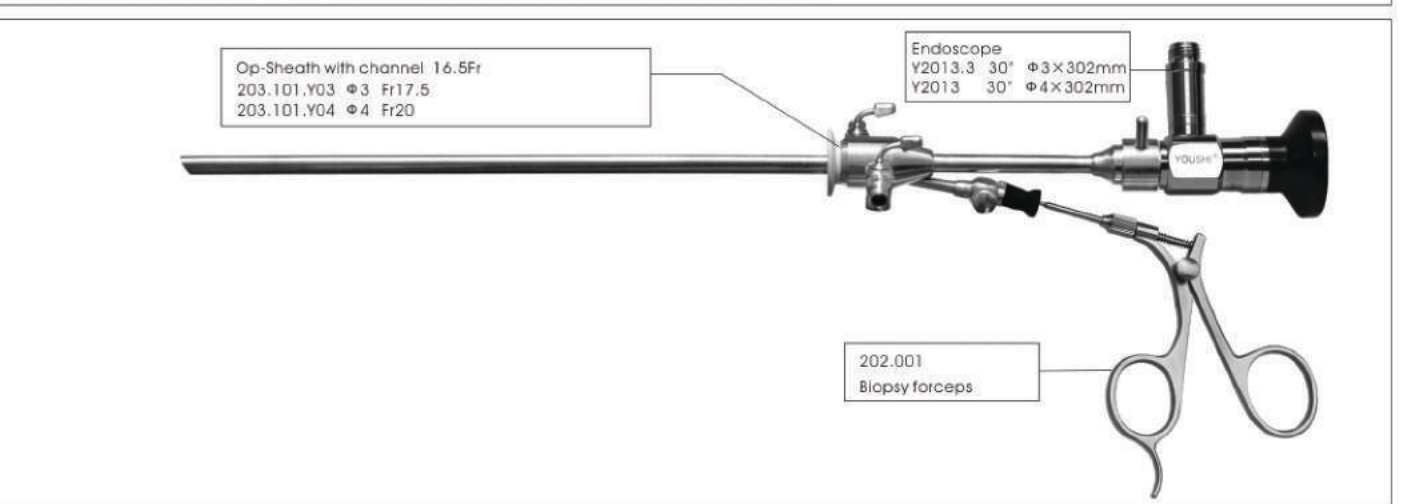
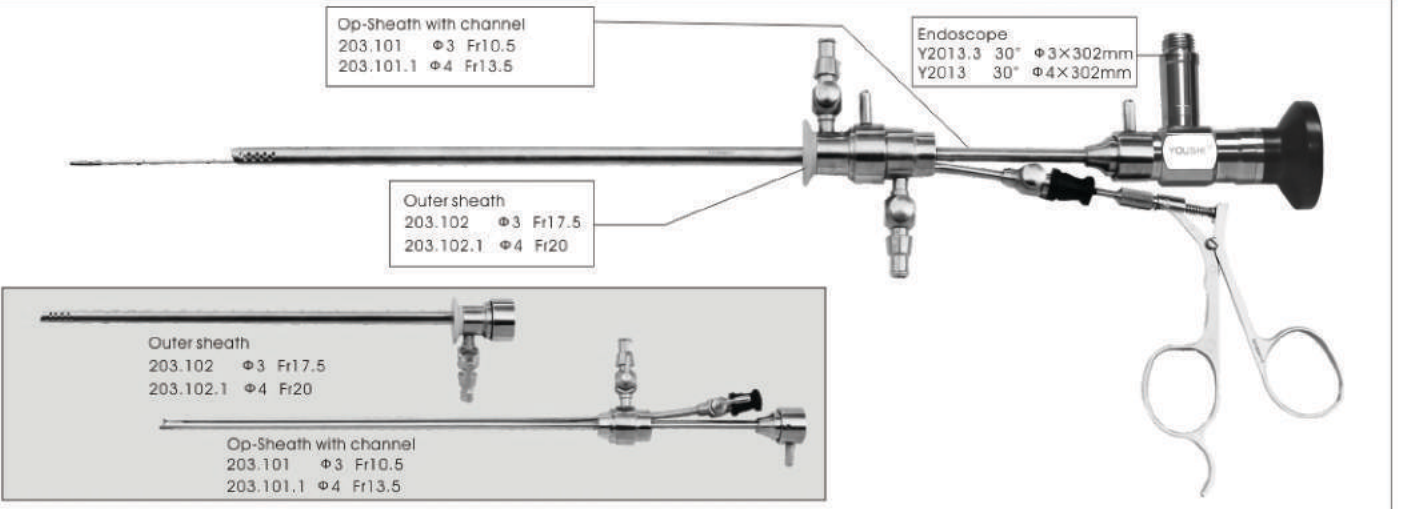


202.012 Sealed cap

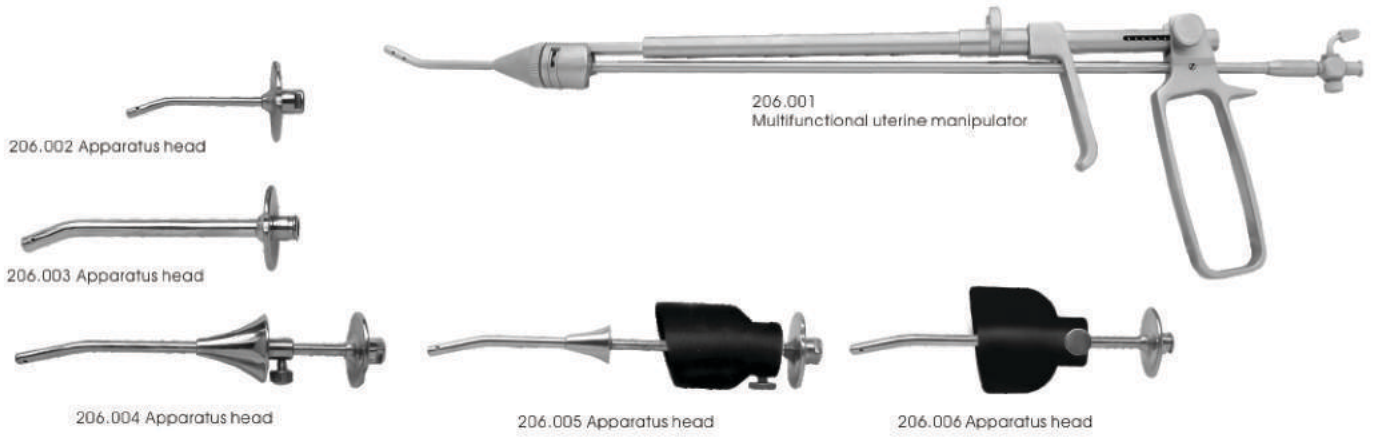
YS203A GQJ- I Hysteroscopy set (inspection)



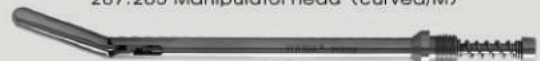
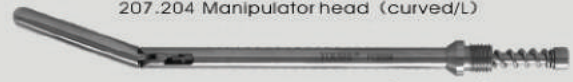
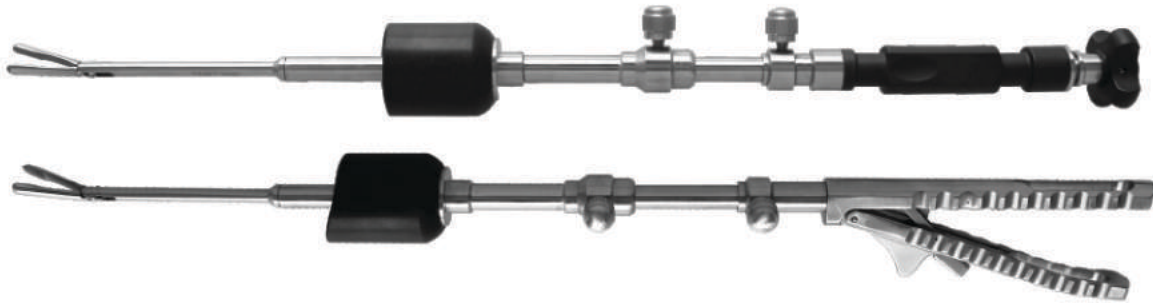
YS203B GQJ-III Hysteroscopy set (work)



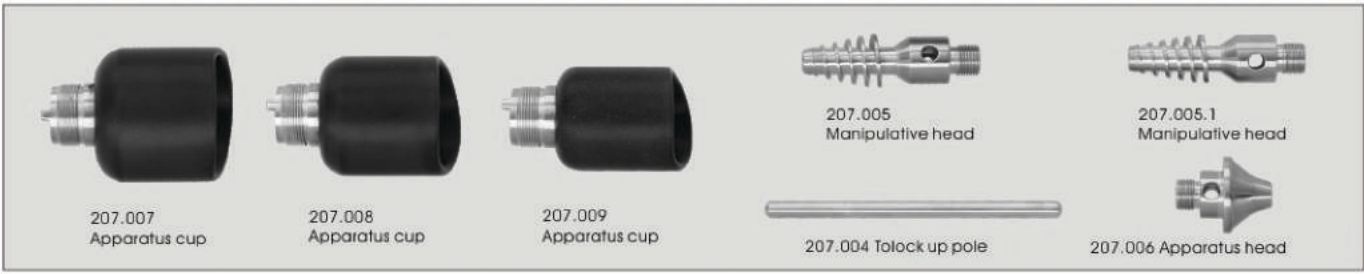
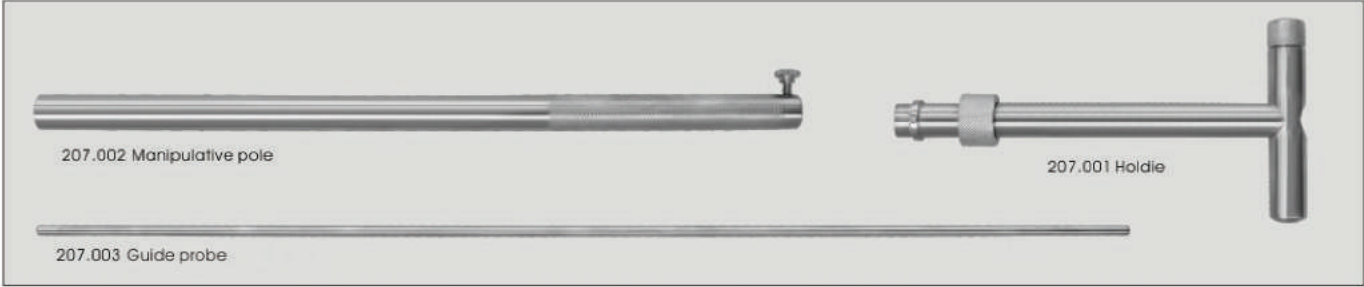
YS206 JGQ Uterus apparatus



YS207C DC Multi-functional uterus apparatus



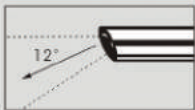
YS207A DC Multi-functional uterus apparatus



YS207B DC Multi-functional uterus apparatus



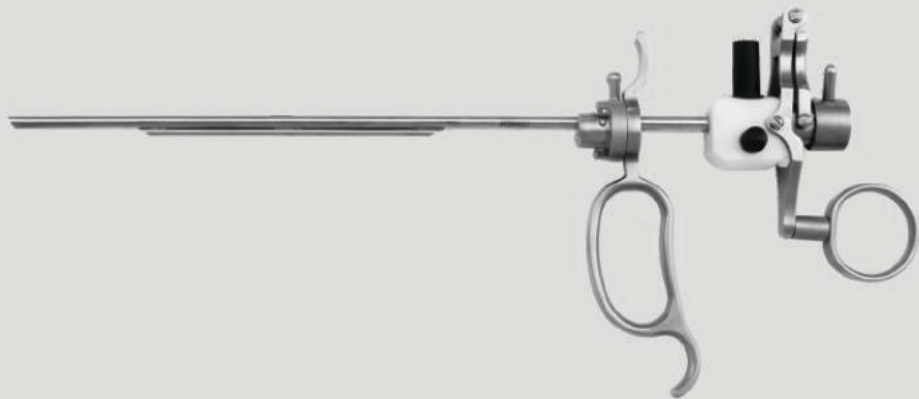
YS211 DQJ- I Hystero resectoscope



Y20112 12° Endoscope  $\phi 4 \times 302\text{mm}$



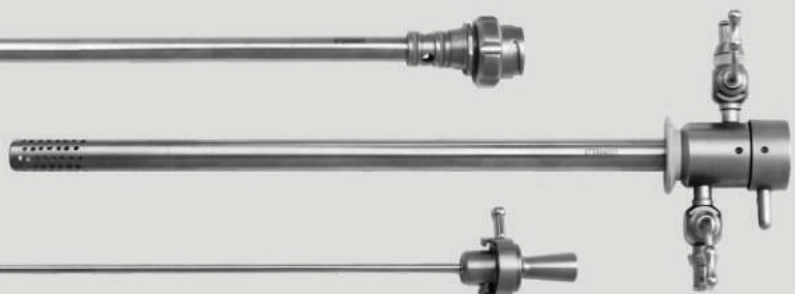
504.005 Working element



504.001 Inner sheath



504.004 Outer sheath



504.002 Obturator



504.0151  
Vaporization electrode  
(needle type)



504.016  
Vaporization electrode  
(Ball type)



504.008.1  
Vaporization electrode  
(Straight type)

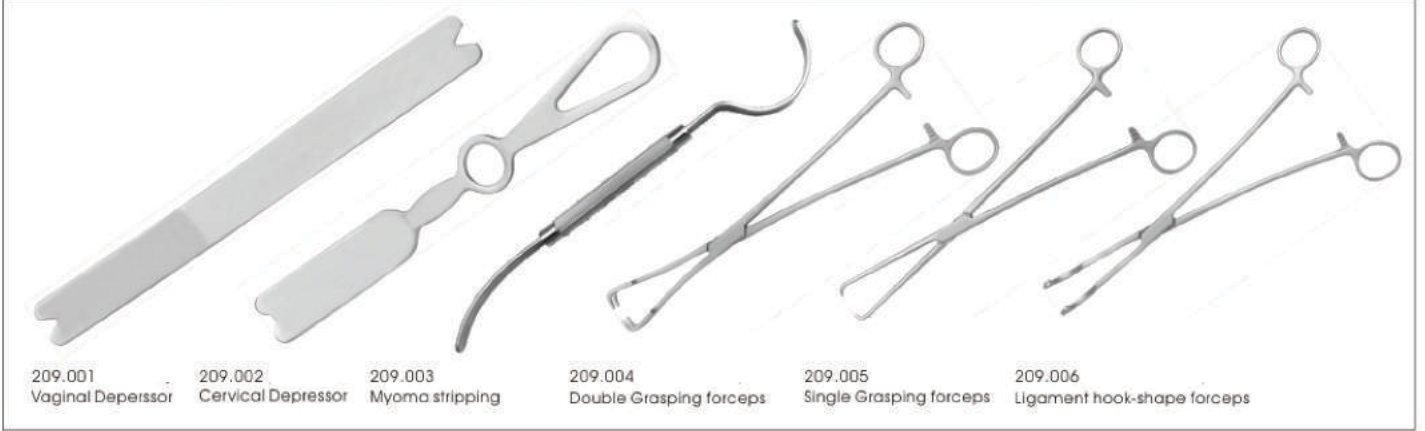


504.009  
Cutting loop

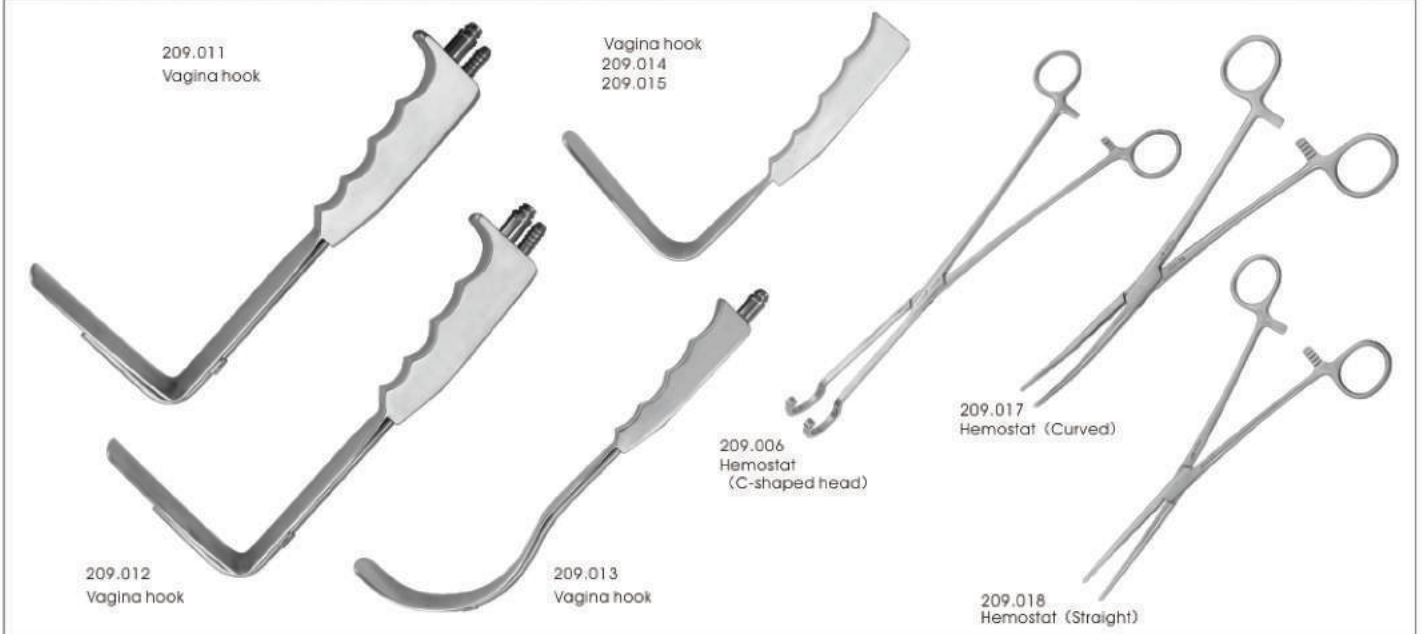


111.009 Light guide cable

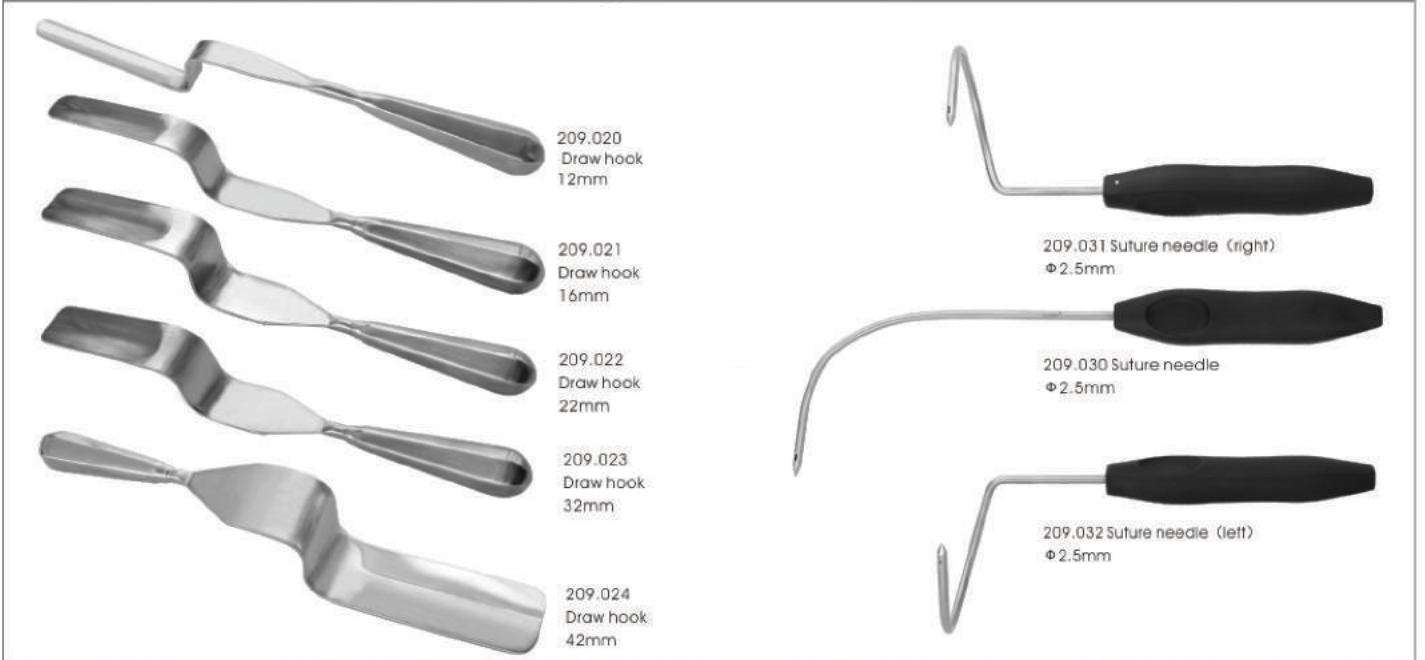
YS209A ZZ Instruments for Hysterectomy surgery



YS209B ZZ Instruments for Hysterectomy surgery

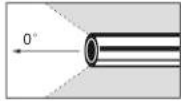


YS209C ZZ Instruments for Hysterectomy surgery

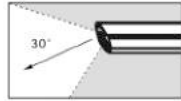




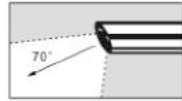
**Endoscope**



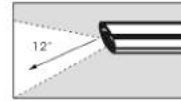
Y5030 Endoscope  
0°  $\phi$ 4X302mm



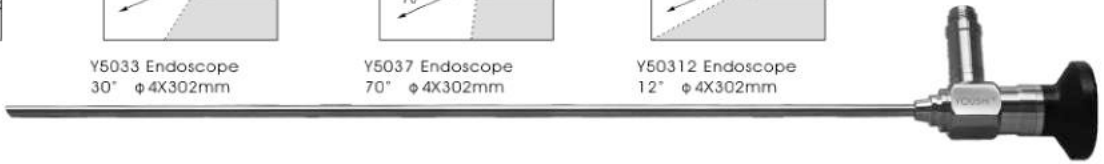
Y5033 Endoscope  
30°  $\phi$ 4X302mm



Y5037 Endoscope  
70°  $\phi$ 4X302mm



Y50312 Endoscope  
12°  $\phi$ 4X302mm



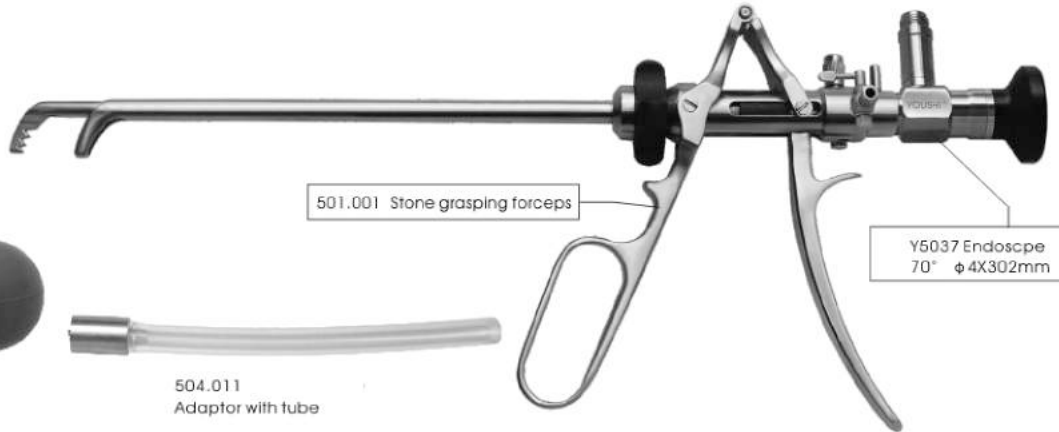
**YS501 Lithotripsy**



504.012  
Evacuator (Eilik)



504.011  
Adaptor with tube

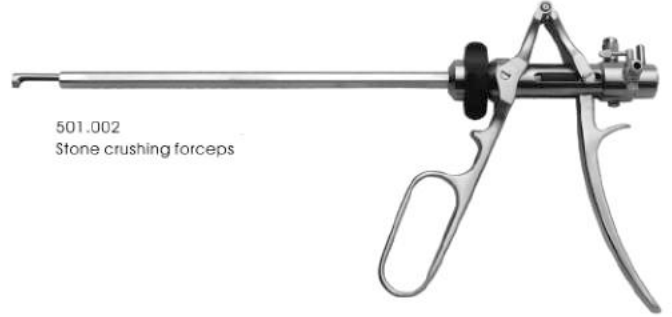


501.001 Stone grasping forceps

Y5037 Endoscope  
70°  $\phi$ 4X302mm



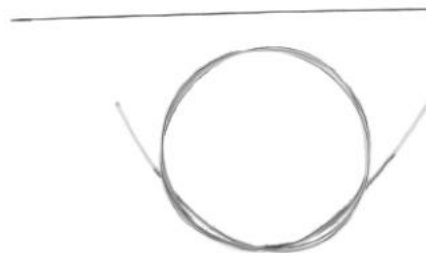
501.001  
Stone grasping forceps



501.002  
Stone crushing forceps

**YS508 Ureterorenoscopy set**

- Y50812 Ureterorenoscopy set 12"
- 508.001 Manipulator
- 508.002 Dilator 13Fr
- 508.003 Dilator 11Fr
- 508.004 Dilator 9Fr
- 508.005 Metal wire
- 508.006 Grasping forceps
- 508.007 Biopsy forceps
- 508.008 Flexible Grasping forceps
- 508.009 Flexible Biopsy forceps
- 503.012 Adaptor
- 503.016 Sealed cap
- 111.010 Light transmitting bundle
- 508.012 Stone basket



YS508.005 Metal wire



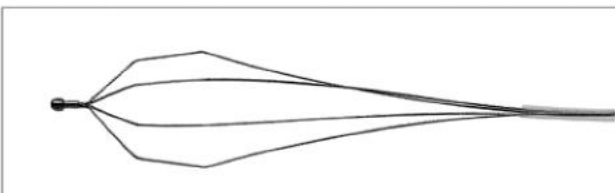
508.009  
Flexible foreign body forceps



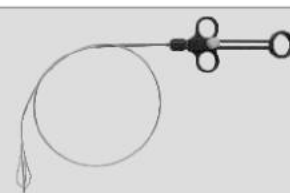
508.007  
Flexible biopsy forceps



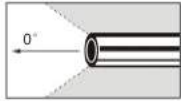
Y50812  
Ureterorenoscopy set



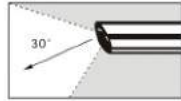
508.012 Stone basket



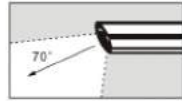
### Endoscope



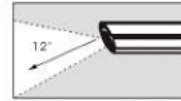
Y5030 Endoscope  
0°  $\phi$ 4X302mm



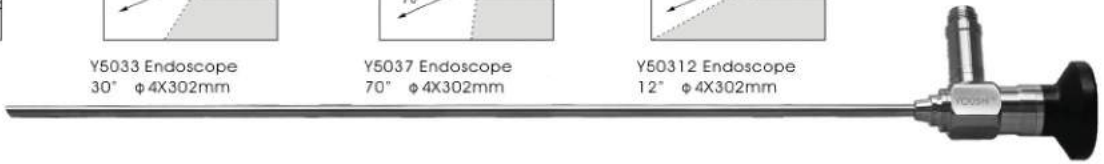
Y5033 Endoscope  
30°  $\phi$ 4X302mm



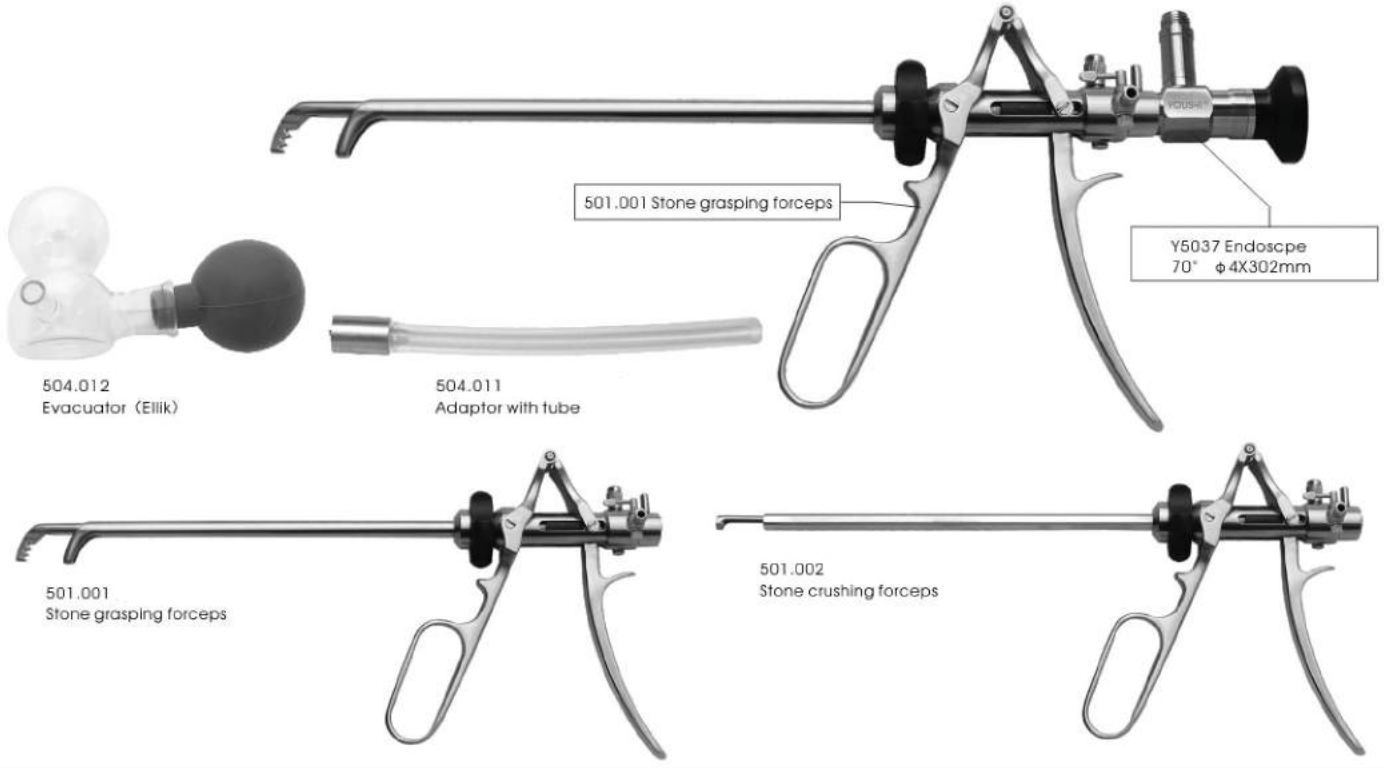
Y5037 Endoscope  
70°  $\phi$ 4X302mm



Y50312 Endoscope  
12°  $\phi$ 4X302mm

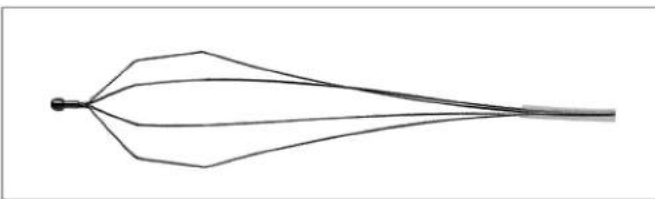
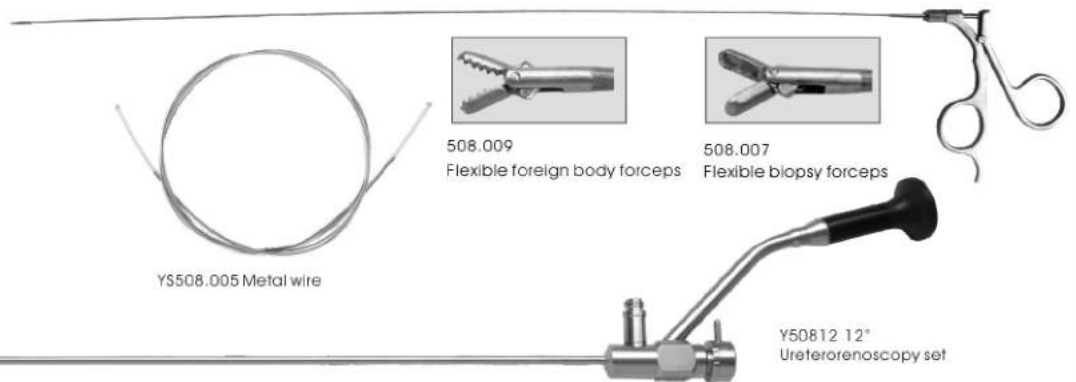


### YS501 Lithotripsy



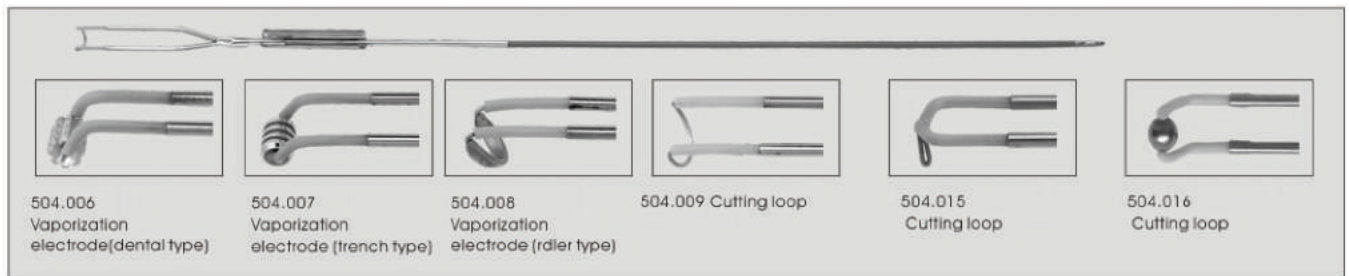
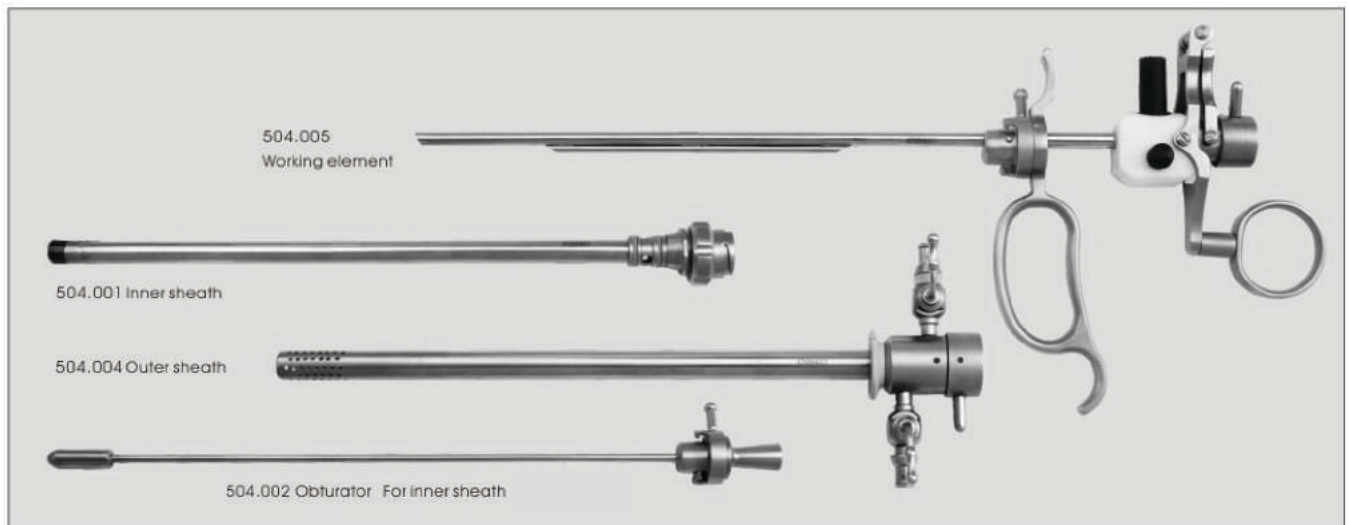
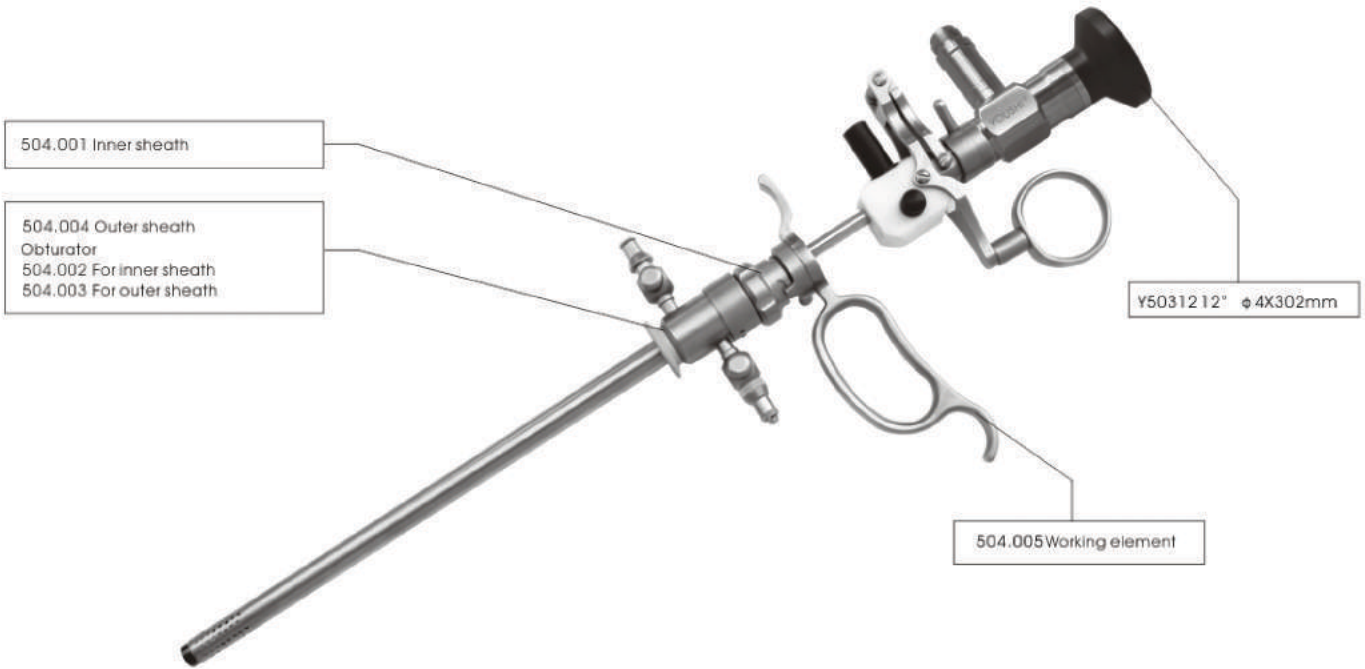
### YS508 Ureterorenoscopy set

- Y50812 Ureterorenoscopy set 12"
- 508.001 Manipulator
- 508.002 Dilator 13Fr
- 508.003 Dilator 11Fr
- 508.004 Dilator 9Fr
- 508.005 Metal wire
- 508.006 Grasping forceps
- 508.007 Biopsy forceps
- 508.008 Flexible Grasping forceps
- 508.009 Flexible Biopsy forceps
- 503.012 Adaptor
- 503.016 Sealed cap
- 111.010 Light transmitting bundle
- 508.012 Stone basket



508.012 Stone basket

YS504 DQJ- I Vaporization resectoscope



504.012 Evacuator (Ellik)

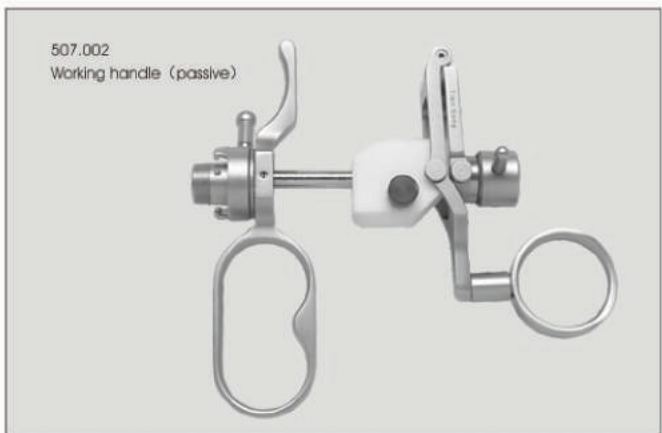
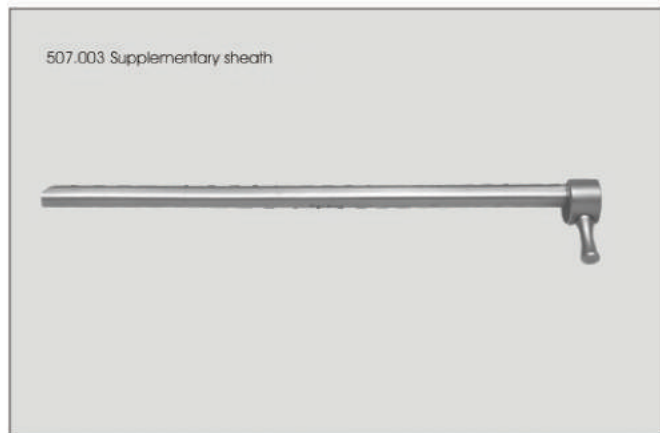
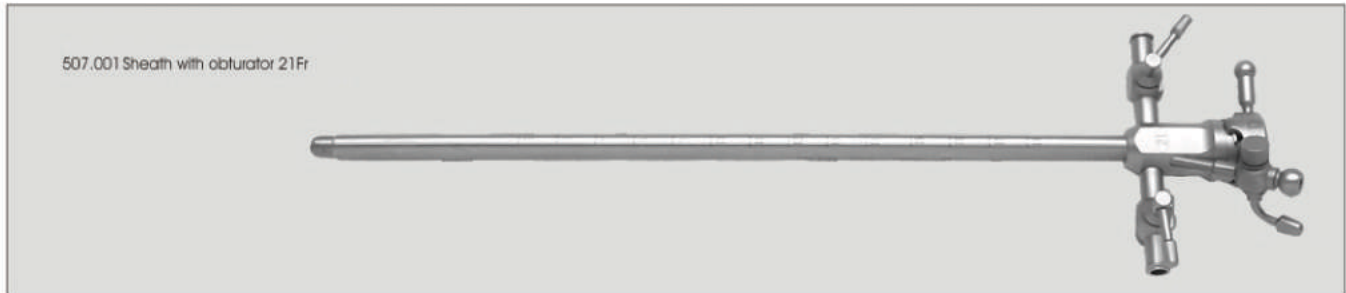
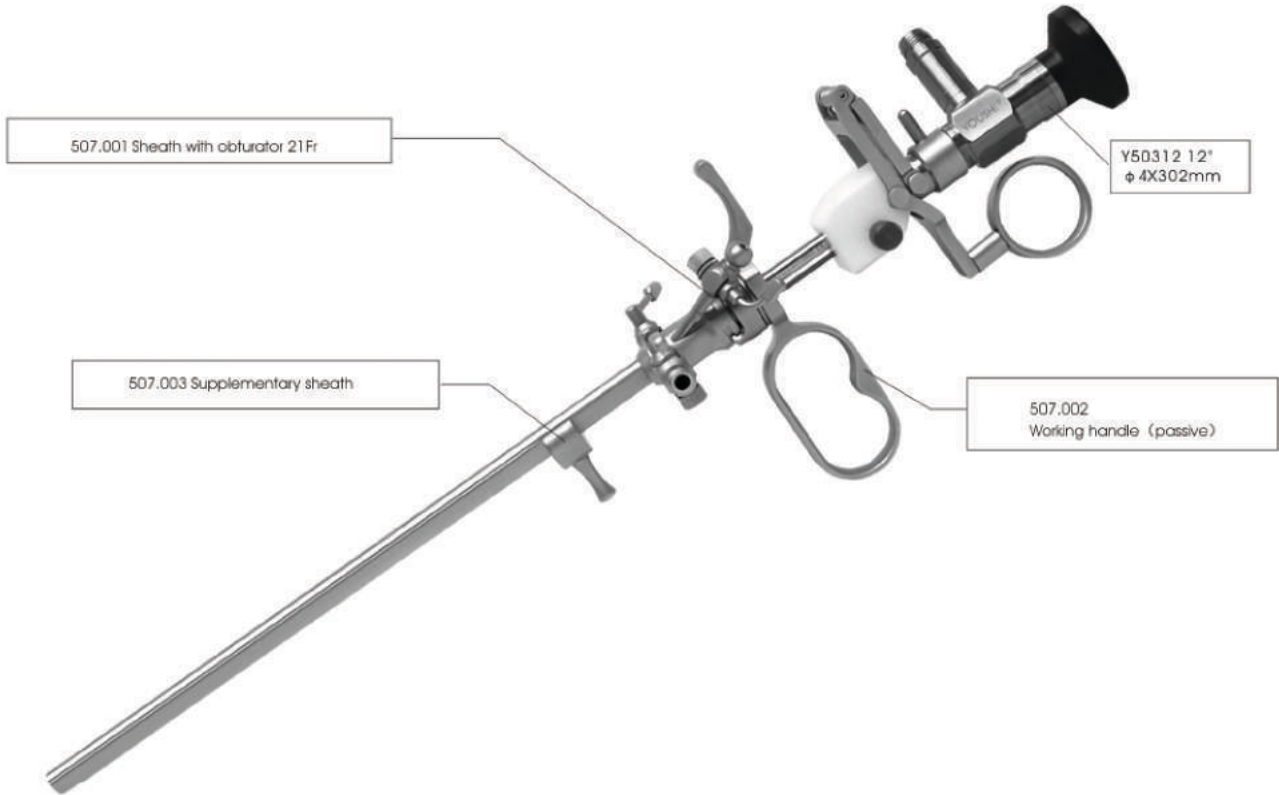


504.012.1 Evacuator (Hoffman)



504.011 Adaptor with tube

YS507 Urethrotomy set (Lockable)



**Endoscope**

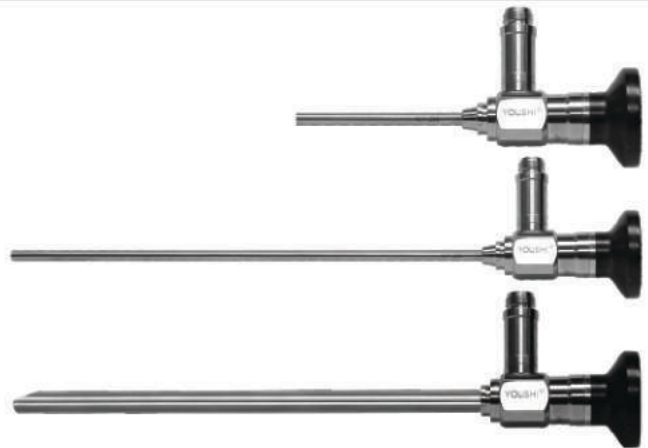
ENJ	OTOSCOPE	OTOSCOPE
	Y3050 0° Φ4 X50mm	Y3050.27 0° Φ2.7 X100mm
	Y3053 30° Φ4 X50mm	Y3053.27 30° Φ2.7 X100mm

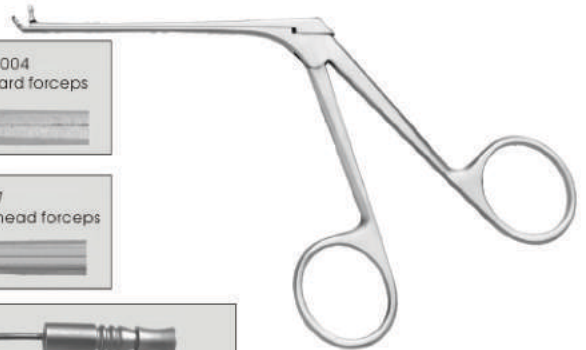
BD	Sinoscope	Sinoscope
	Y3010 0° Φ4 X 175mm	Y3010.27 0° Φ2.7 X 175mm
	Y3013 30° Φ4 X 175mm	Y3013.27 30° Φ2.7 X 175mm
	Y3017 70° Φ4 X 175mm	

HNJ	Laryngoscope	Laryngoscope
	Y3037 70° Φ8 X 178mm	Y3037.6 70° Φ6 X 178mm
	Y3039 90° Φ8 X 178mm	



**YS305 ERK Ear Surgical instruments set**



**YS308 Otoscope cutting aspirator**

308.001 Current Controller

308.003 Down Controller

308.002 Mainframe

308.001 Mainframe

308.002 Current Controller

308.003 Down Controller

308.004 Machine Head (Straight)

308.005 Machine Head (Curved)

308.006 Ears with bits Φ2×70

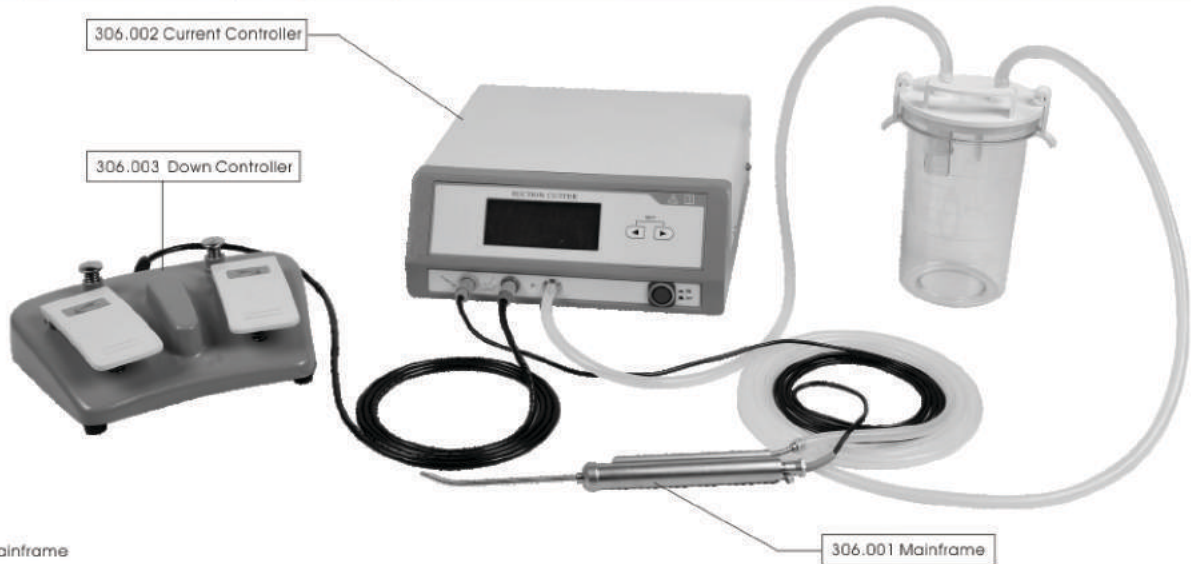
308.007 Ears with bits Φ3×70

308.008 Ears with bits Φ4×70

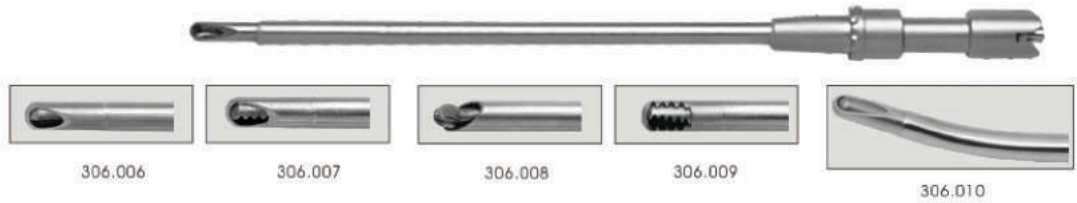
308.009 Ears with bits Φ5×70

308.010 Ears with bits Φ6×70

### YS306 Uptodate oesophagoscope



- 306.001 Mainframe
- 306.002 Current Controller
- 306.003 Down Controller
- 306.006 Tool
- 306.007 Tool
- 306.008 Tool
- 306.009 Tool
- 306.010 Tool
- 306.011 Tool

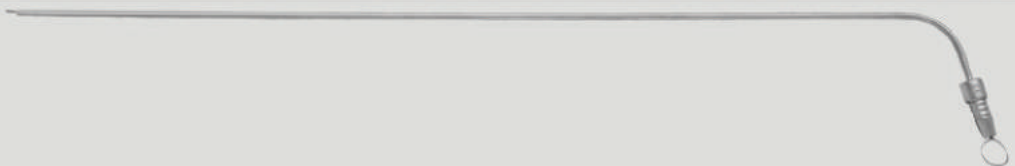


### YS401 Esophagoscope

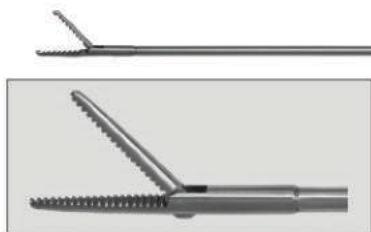
- Esophagoscope
- 401.001  $\Phi$ 9X13 X 250mm
  - 401.002  $\Phi$ 11X15 X 300mm
  - 401.003  $\Phi$ 10X16 X 360mm
  - 401.004  $\Phi$ 13X17 X 380mm
  - 401.005  $\Phi$ 12X18 X 400mm



- Suction tube
- 401.010  $\Phi$ 2.5mm X 450mm
  - 401.011  $\Phi$ 3mm X 450mm
  - 401.012  $\Phi$ 4mm X 450mm



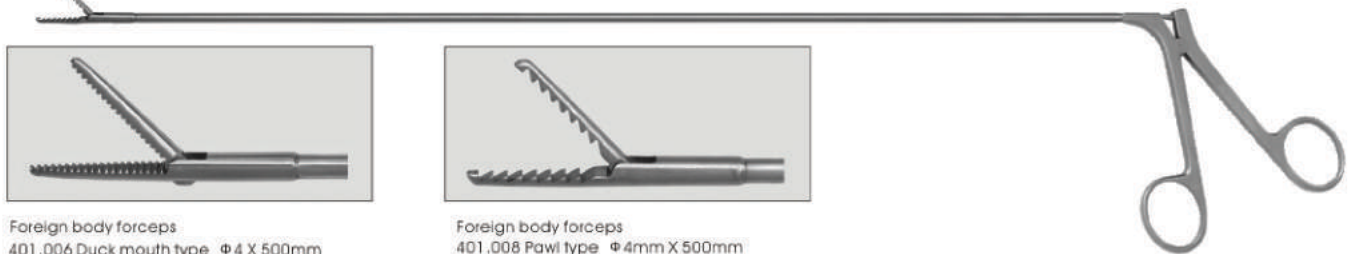
401.013 Esophagoscope-handle



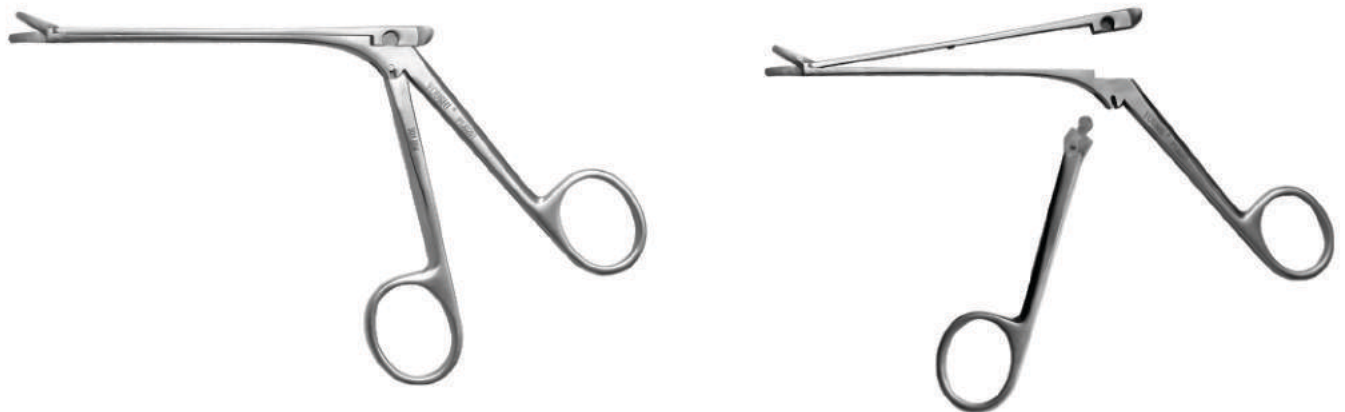
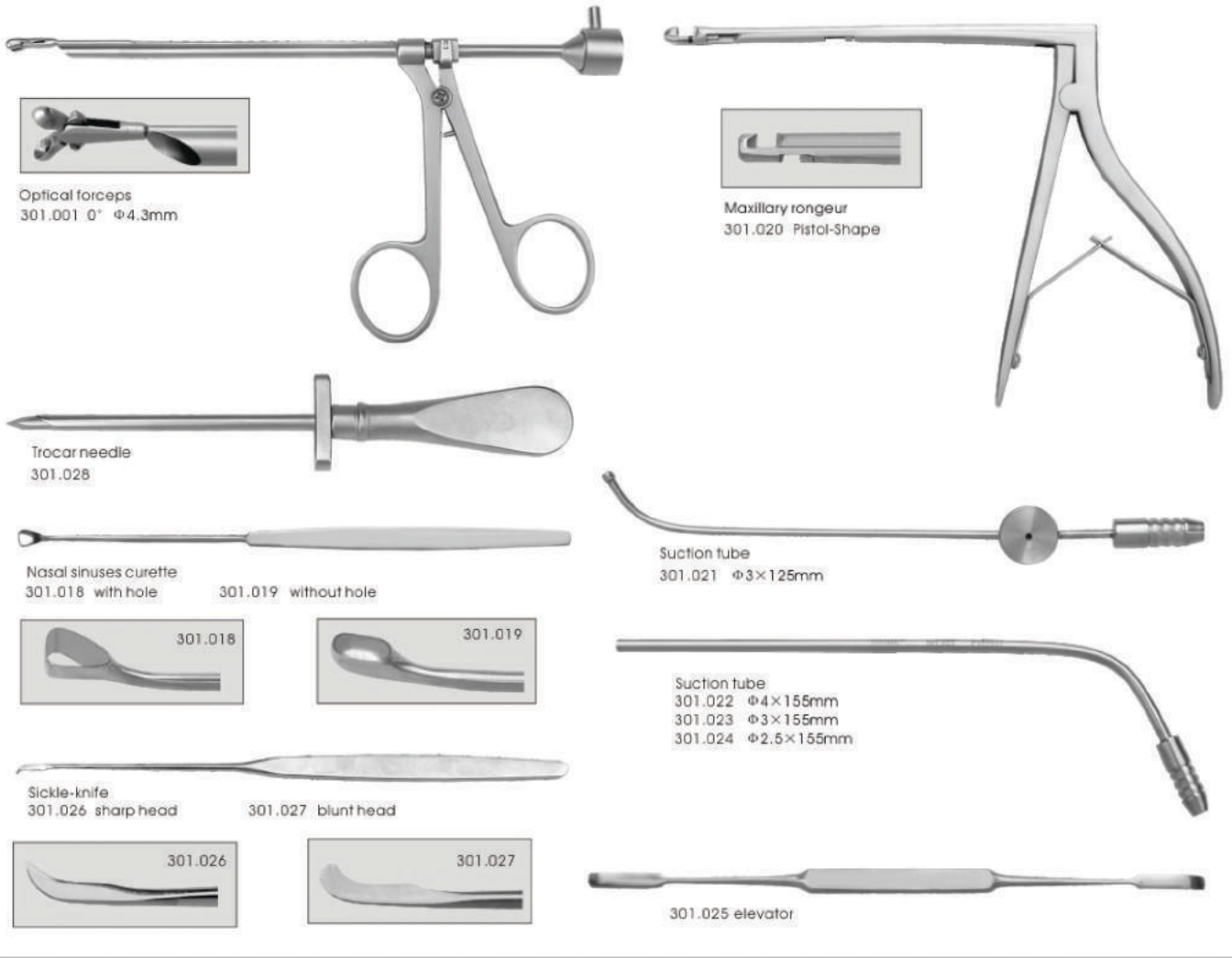
Foreign body forceps  
401.006 Duck mouth type  $\Phi$ 4 X 500mm  
401.007 Duck mouth type  $\Phi$ 4 X 350mm



Foreign body forceps  
401.008 Pawl type  $\Phi$ 4mm X 500mm  
401.009 Pawl type  $\Phi$ 4mm X 350mm



YS301 BD Sinoscope set



Nasal fissure  
301.002 Straight type  
301.003 Left curved  
301.004 Right curved



Sinus rongeur  
301.005 Front-biting  
301.006 Back-biting



YS301 BDSinoscope set



Tissue forceps of nasal cavity  
 301.007 0° 105mm  
 301.008 30° 105mm  
 301.009 45° 105mm  
 301.010 90° 105mm  
 301.017 45°  
 with suction tube

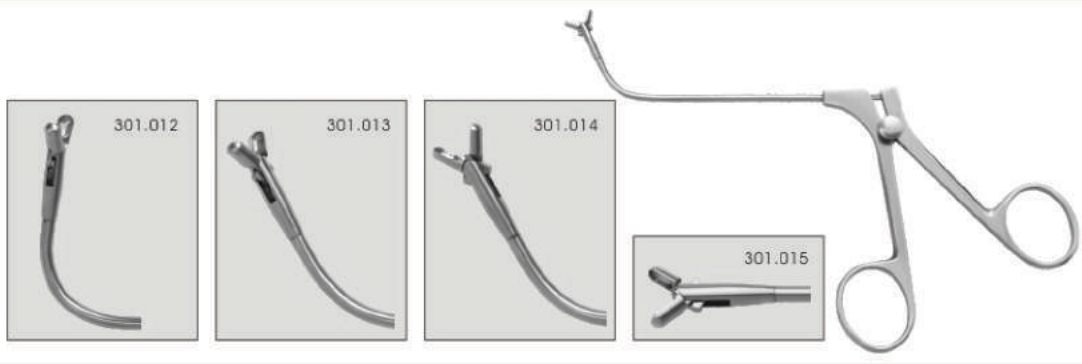


Polyp forceps of nasal cavity  
 301.011 105mm



Nasal foreign body forceps  
 301.016 105mm

Nasal sinuses forceps  
 301.012 100°  
 Open to left or right  
 301.013 70°  
 Open to left or right  
 301.014 70°  
 Open to ahead and back  
 301.015  
 Open to up and down



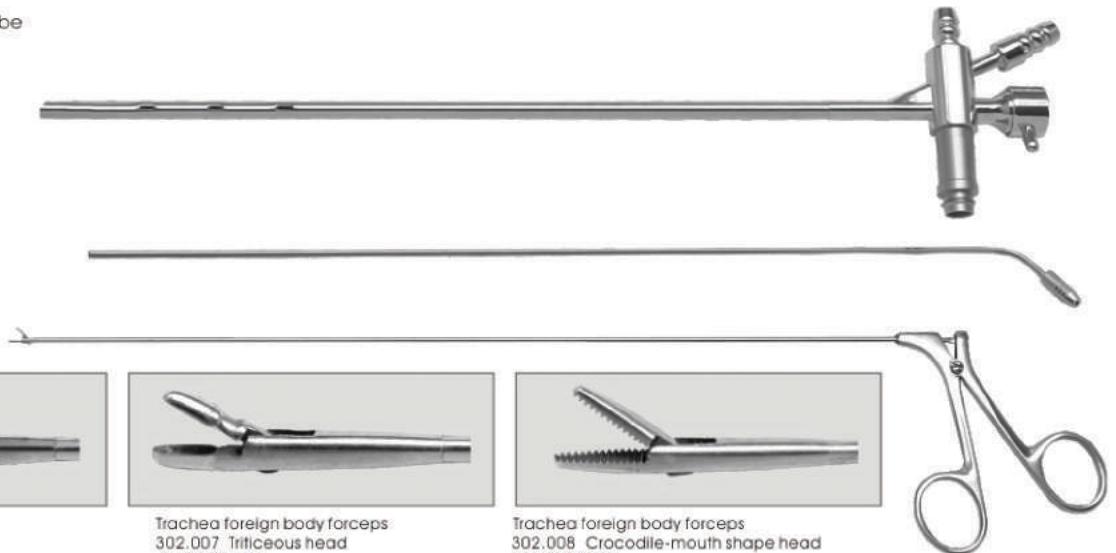
YS302 Pediatric bronchoscopy set

Pediatric bronchoscope tube

302.001  $\phi$  7 X 280mm  
 302.002  $\phi$  6 X 280mm  
 302.003  $\phi$  5 X 260mm  
 302.004  $\phi$  4 X 250mm  
 302.005  $\phi$  3.5 X 250mm

Suction tube

302.009  $\phi$  2.5 X 320mm  
 302.010  $\phi$  3 X 320mm  
 302.011  $\phi$  4 X 320mm



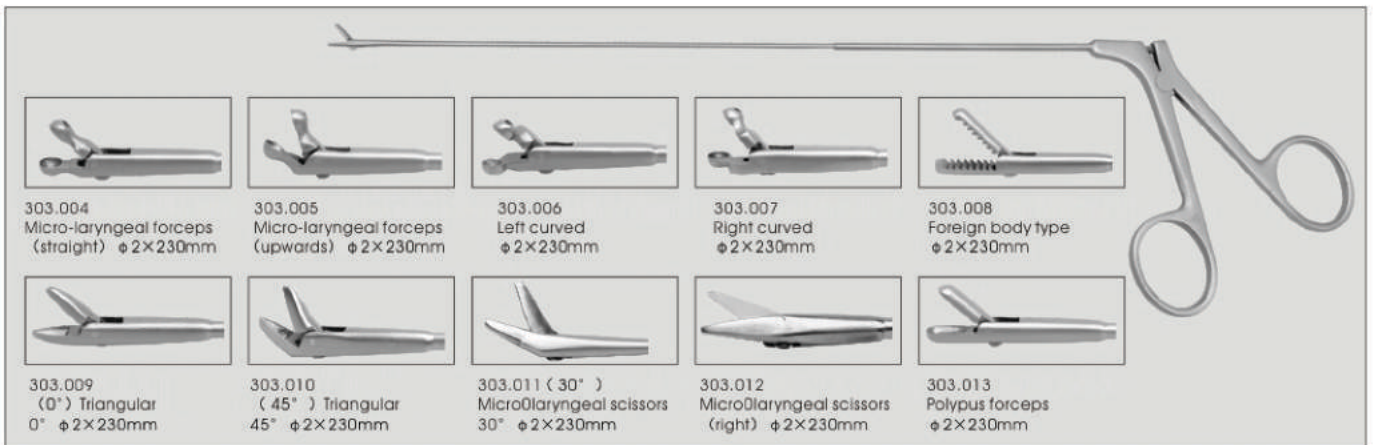
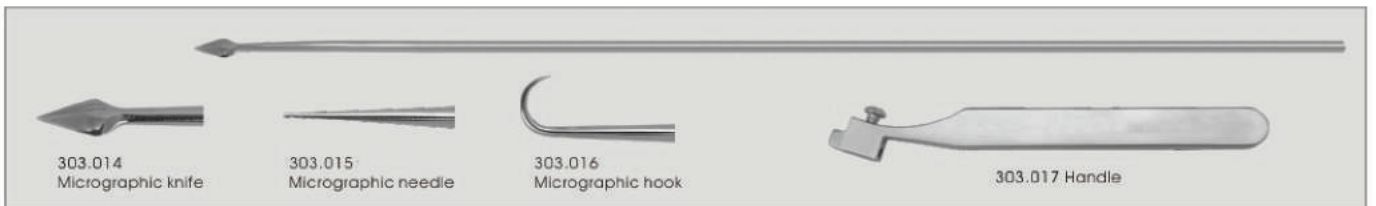
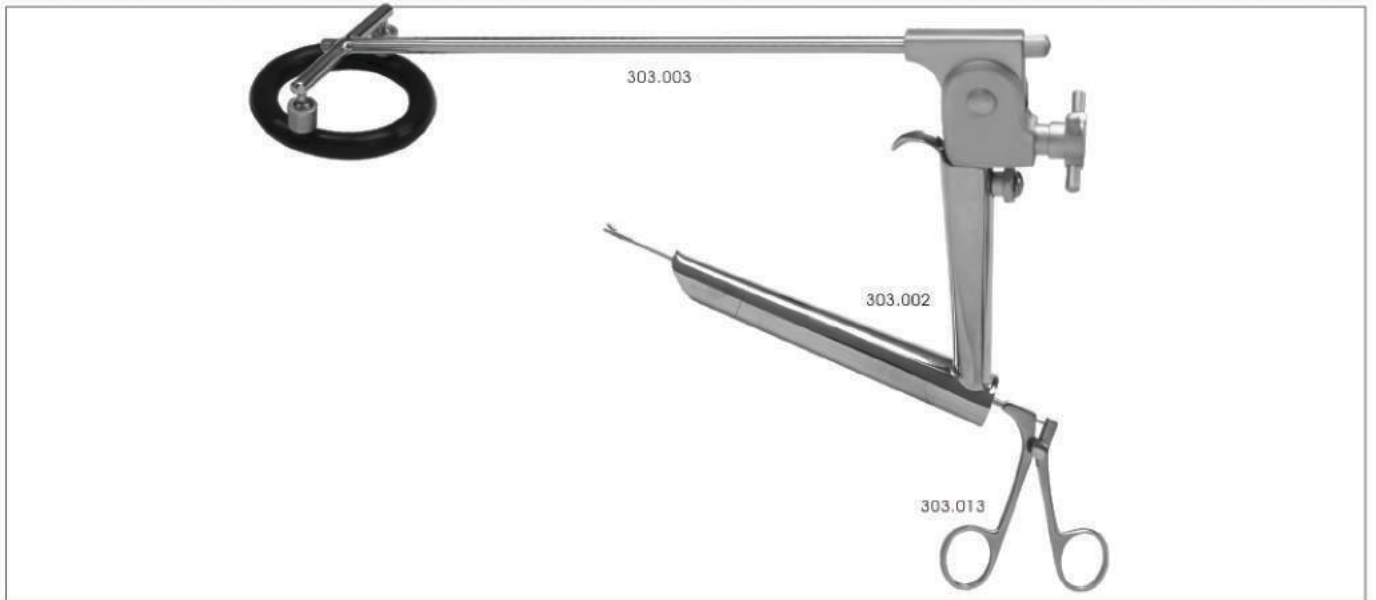
Trachea foreign body forceps  
 302.006 Peanut shape head  
 $\phi$  2 X 360mm

Trachea foreign body forceps  
 302.007 Trifoliceous head  
 $\phi$  2 X 360mm

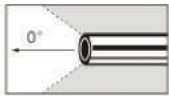
Trachea foreign body forceps  
 302.008 Crocodile-mouth shape head  
 $\phi$  2 X 360mm



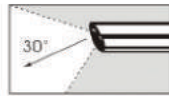
YS303 ZC Self-retaining laryngoscopy set



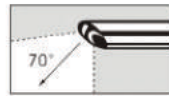
YS601 Arthroscopy set



Y6010 Endoscope  
0° Φ4×175mm



Y6013 Endoscope  
30° Φ4×175mm



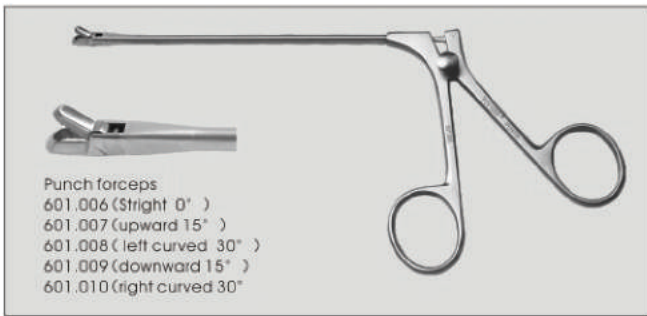
Y6017 Endoscope  
70° Φ4×175mm



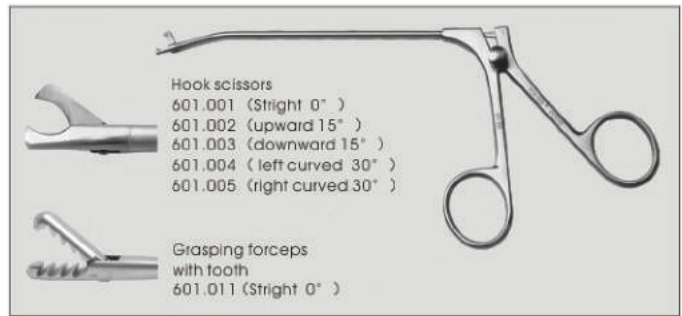
Trocar  
601.022 Φ4×175mm



Suction tube  
601.025 Φ2.5×155mm  
601.026 Φ3×155mm  
601.027 Φ4×155mm

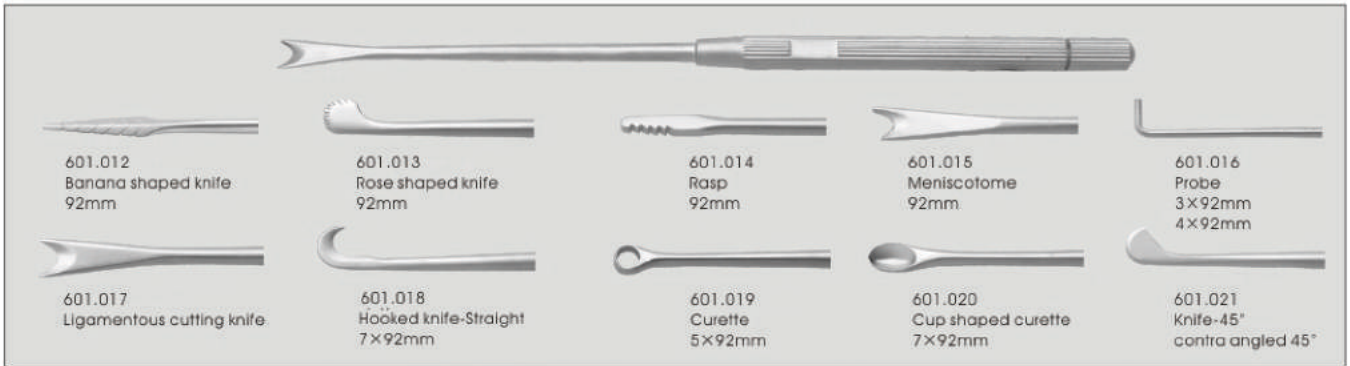


Punch forceps  
601.006 (Stright 0° )  
601.007 (upward 15° )  
601.008 ( left curved 30° )  
601.009 (downward 15° )  
601.010 (right curved 30° )



Hook scissors  
601.001 (Stright 0° )  
601.002 (upward 15° )  
601.003 (downward 15° )  
601.004 ( left curved 30° )  
601.005 (right curved 30° )

Grasping forceps  
with tooth  
601.011 (Stright 0° )



601.012  
Banana shaped knife  
92mm

601.013  
Rose shaped knife  
92mm

601.014  
Rasp  
92mm

601.015  
Meniscotome  
92mm

601.016  
Probe  
3×92mm  
4×92mm

601.017  
Ligamentous cutting knife.

601.018  
Hooked knife-Straight  
7×92mm

601.019  
Curette  
5×92mm

601.020  
Cup shaped curette  
7×92mm

601.021  
Knife-45°  
contra angled 45°

YS602 Arthroscope electric-drill

- 602.101 Current Controller
- 602.102 Down Controller
- 602.103 Mainframe
- 602.104 Tool
- 602.105 Tool
- 602.106 Tool
- 602.107 Tool



602.104



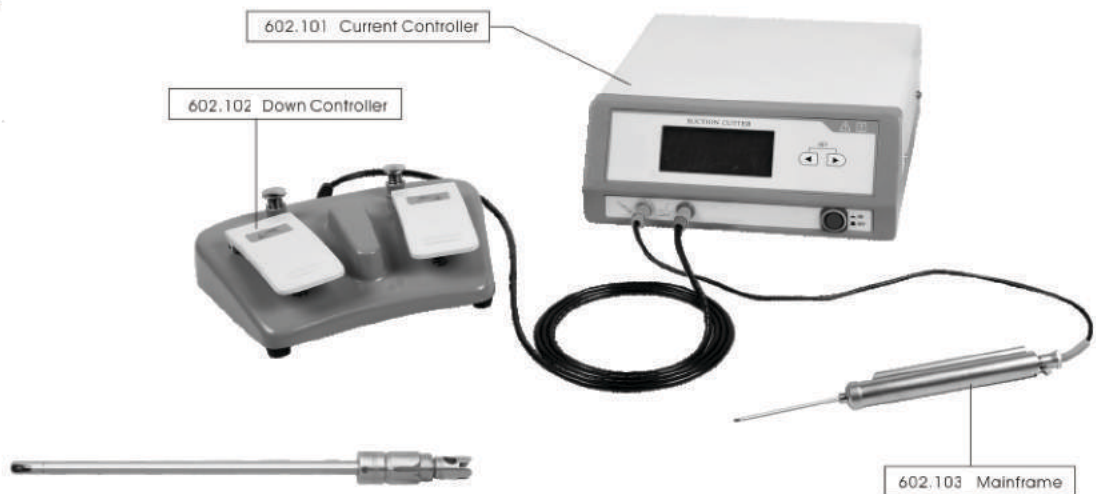
602.105



602.106



602.107



602.101 Current Controller

602.102 Down Controller

602.103 Mainframe

M

med first